



**Pressure Relief Valve
Model: SRV765**



Set Pressure Range: 25-300 psig

Set Pressure Tolerance: ± 2 psig up to and including 70 psig, $\pm 3\%$ of set pressure greater than 70 psig. As required in Table 3.6.3.1-2 of the ASME Boiler & Pressure Vessel Code Sec. XIII.

**Seat Leakage: Bubble Tight within 5 psig for set pressure 50 psig or less
Bubble Tight within 10% for set pressure greater than 50 psig
As required in paragraph 2.2.3 of API 527.**

Flow Factor (Slope Method): 7.13

Operating Temperature Range: -65°F to 400°F

Materials of Construction:

Seat, Cap, Piston: ASTM B16 Brass or ASTM A582 Stainless

Spring: 17-7 Stainless Steel

Seal: Silicone or Viton

**Valve Weight: 1.50 lbm (25-200 psig)
1.85 lbm (201-300 psig)**

Valve Options:

Compliance with European PED 2014/68/EU, "CE" Stamp

Seal: Silicone (-65°F to 400°F) or Viton (-15°F to 400°F)

Plating: Nickel Plating

**Inlet Sizes: 1 NPT, BSPT, or BSPP
1-1/4 NPT or BSPT**

Certifications:

ASME Boiler & Pressure Vessel Code Section XIII

CSA B51-03 Boiler, Pressure, Vessel, and Pressure Piping Code



CONRADER

Ordering Information

SRV765 - 1 - BSPT - SS - V - CE - SC - SST - 150

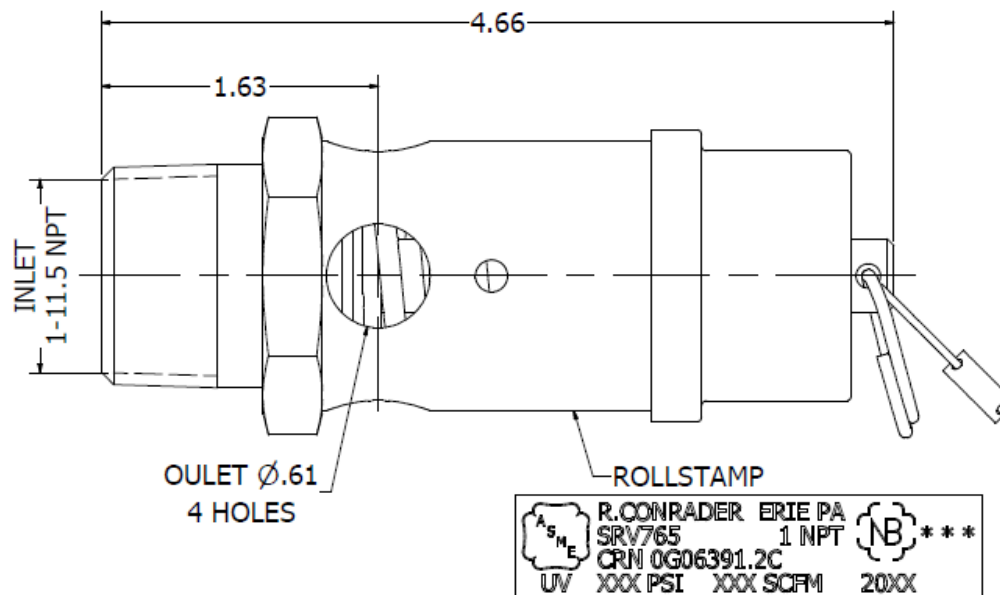
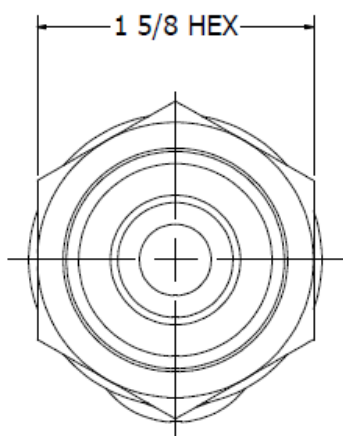
Connection Size		Connection Type		Construction Material		Seal Material		Optional Code		Serialized		Thread Sealant		Pressure Setting
Option	Code	Option	Code	Option	Code	Option	Code	Option	Code	Option	Code	Option	Code	
1"	1	NPT	(Blank)	Brass	(Blank)	Silicone	(Blank)	None	(Blank)	None	(Blank)	None	(Blank)	
1-1/4"	11/4	BSPT	BSPT	Nickel Plated	NP	Viton®	V	CE Mark	CE	Serialized	SC	White	SST	
				Stainless Steel	SS			Non-Code	NC					

Options

1. Connection Size: The available sizes are 1" or 1-1/4".
2. Connection Type
 - a. NPT – Pipe Threads made to the ASME B1.20.1 Standard
 - b. BSPT – Pipe Threads made to the ISO 7-1 Standard
3. Construction Material
 - a. Brass
 - b. Nickel Plated – Electroless Nickel Plated Brass
 - c. Stainless Steel
4. Seal Material
 - a. Silicone
 - b. Viton®
5. Optional Code
 - a. None: Will meet the requirements of ASME BPV Code Section XIII.
 - b. CE/UKCA Mark: Valve has the “CE/UKCA” certification for the European PED and UK PESR.
 - c. Non-Code: For valves with a pressure setting below 25 psi.
6. Serialized Valves: Have a unique serial number and include certificate.
7. Thread Sealant
 - a. White colored thread sealant

Examples:

1. A 1" NPT brass valve with a silicone seal set 200 psi is **SRV765-1-200**.
2. A 1-1/4" BSPT brass valve with a Viton seal and white thread sealant set at 100 psi is **SRV765-11/4-BSPT-V-SST-100**.

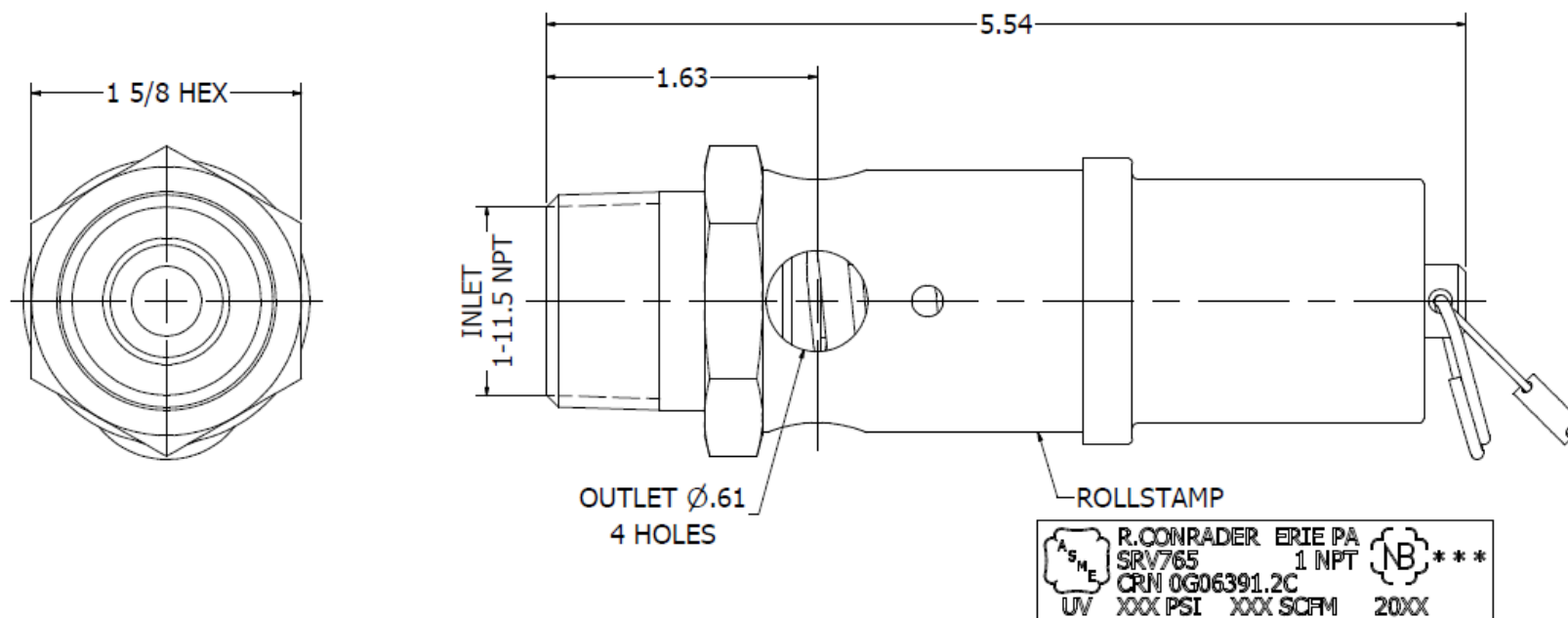


NOTES:

- * OPERATING TEMPERATURE RANGE: -65°F TO 400°F
- * SET PRESSURE RANGE: 25-200 psig
- * SET PRESSURE TOLERANCE: ±2 psig UP TO AND INCLUDING 70 psig, ±3% OF SET PRESSURE GREATER THAN 70 psig.
- * SEAT TIGHTNESS: BUBBLE TIGHT WITHIN 5 psig FOR SET PRESSURE 50 psig OR LESS. BUBBLE TIGHT WITHIN 10% FOR SET PRESSURE GREATER THAN 50 psig.
- * VALVE WEIGHT: 1.52 lbmass

<p>R. CONRADER COMPANY 749 EAST 18TH STREET P.O. BOX 924 ERIE, PA 16512-0924 (814) 898-2727</p>	DESCRIPTION	ISSUED BY	ISSUED	GROUP
	<p>DIM. OUTLINE</p> <p>VALVE MODEL</p> <p>SRV765-1 (25-200 psig)</p> <p>MATERIAL</p>	<p>L. CONTI</p> <p>REVISED BY</p> <p>NRP</p> <p>SCALE</p> <p>1:1</p>	<p>8/23/1994</p> <p>REVISED</p> <p>3/29/2016</p> <p>DRAWING NO.</p> <p>1303</p>	<p>SV</p> <p>PAGE 3 OF 6</p> <p>REVISION</p> <p>J</p>

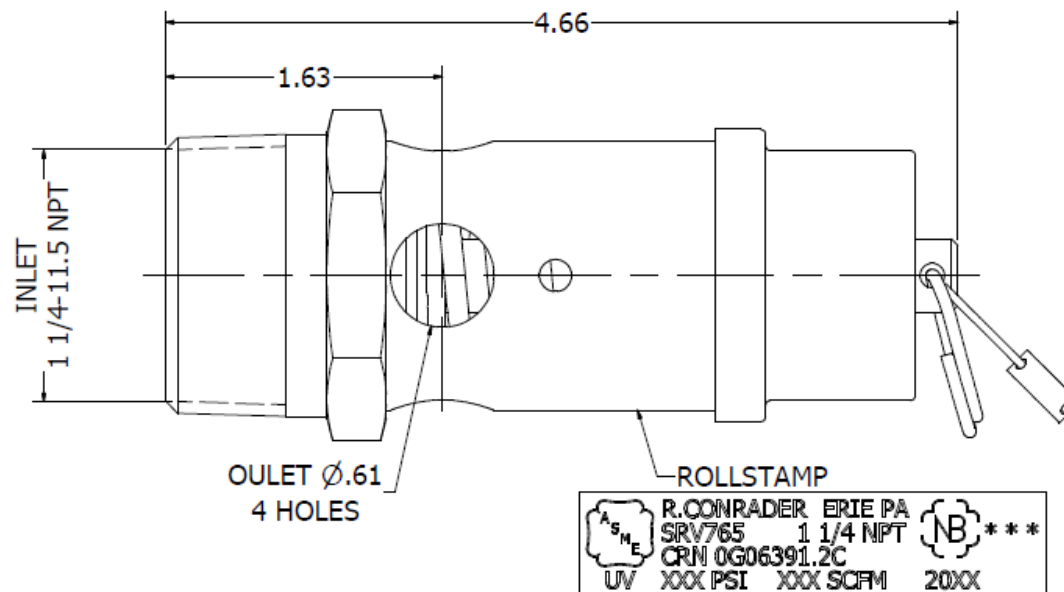
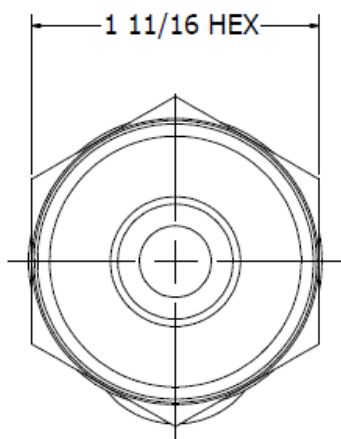
THIS DOCUMENT CONTAINS INFORMATION CONFIDENTIAL TO CONRADER. LOANED SUBJECT TO THE CONDITIONS THAT IT NOT BE USED OR CAUSED TO BE USED IN ANY WAY HARMFUL TO CONRADER AND BE RETURNED ON DEMAND.



NOTES:

- * OPERATING TEMPERATURE RANGE: -65°F TO 400°F
- * SET PRESSURE RANGE: 201-300 psig
- * SET PRESSURE TOLERANCE: ±2 psig UP TO AND INCLUDING 70 psig, ±3% OF SET PRESSURE GREATER THAN 70 psig.
- * SEAT TIGHTNESS: BUBBLE TIGHT WITHIN 5 psig FOR SET PRESSURE 50 psig OR LESS. BUBBLE TIGHT WITHIN 10% FOR SET PRESSURE GREATER THAN 50 psig.
- * VALVE WEIGHT: 1.92 lbmass

	R. CONRADER COMPANY 749 EAST 18TH STREET P.O. BOX 924 ERIE, PA 16512-0924 (814) 898-2727	DESCRIPTION DIM. OUTLINE	ISSUED BY L. CONTI	ISSUED 8/23/1994	GROUP SV
	THIS DOCUMENT CONTAINS INFORMATION CONFIDENTIAL TO CONRADER. LOANED SUBJECT TO THE CONDITIONS THAT IT NOT BE USED OR CAUSED TO BE USED IN ANY WAY HARMFUL TO CONRADER AND BE RETURNED ON DEMAND.	VALVE MODEL SRV765-1 (201-300 psig)	REVISOR NRP	REVISED 3/29/2016	PAGE 4 OF 6
	MATERIAL	SCALE 1:1	DRAWING NO. 1303B		



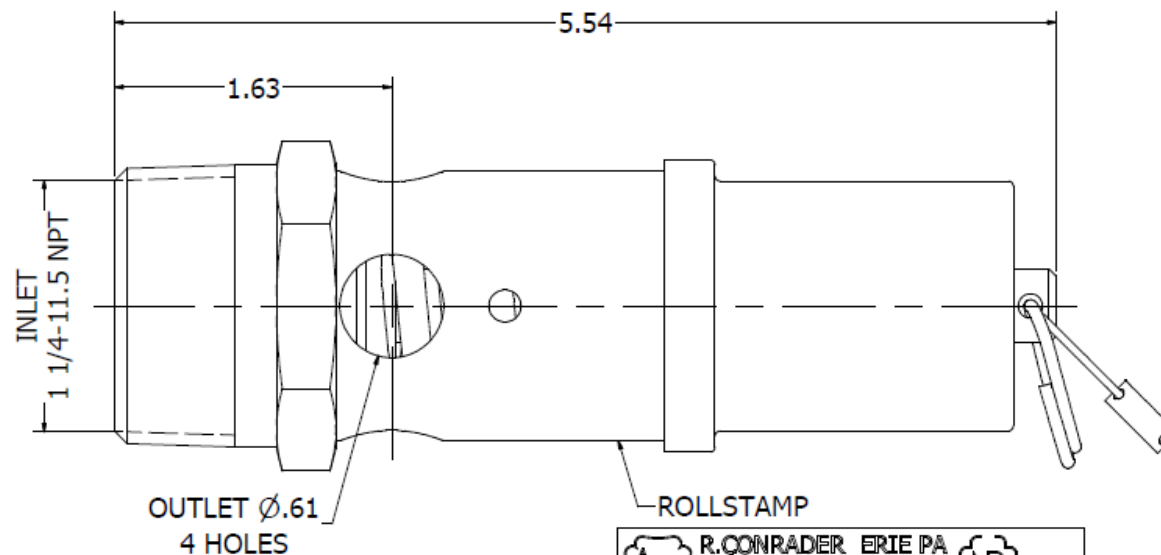
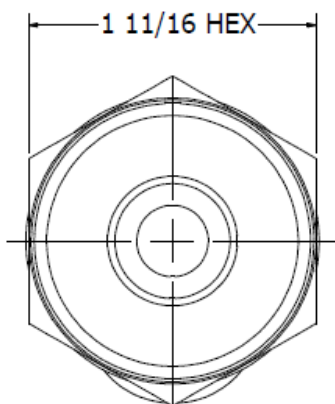
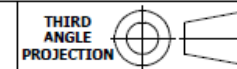
R. CONRADER ERIE PA
 SRV765 1 1/4 NPT
 CRN 0G06391.2C
 UV XXX PSI XXX SCFM 20XX

NOTES:

- * OPERATING TEMPERATURE RANGE: -65°F TO 400°F
- * SET PRESSURE RANGE: 25-200 psig
- * SET PRESSURE TOLERANCE: ±2 psig UP TO AND INCLUDING 70 psig, ±3% OF SET PRESSURE GREATER THAN 70 psig.
- * SEAT TIGHTNESS: BUBBLE TIGHT WITHIN 5 psig FOR SET PRESSURE 50 psig OR LESS. BUBBLE TIGHT WITHIN 10% FOR SET PRESSURE GREATER THAN 50 psig.
- * VALVE WEIGHT: 1.77 lbmass

R. CONRADER COMPANY 749 EAST 18TH STREET P.O. BOX 924 ERIE, PA 16512-0924 (814) 898-2727	DESCRIPTION DIM. OUTLINE	ISSUED BY NRP	ISSUED 6/16/2008	GROUP SV
	VALVE MODEL SRV765-11/4 (25-200 psig)	REVISIONS NRP	REVISION 3/29/2016	PAGE 3 OF 6
MATERIAL	SCALE 1:1	DRAWING NO. 5694	REVISION E	

THIS DOCUMENT CONTAINS INFORMATION CONFIDENTIAL TO CONRADER. LOANED SUBJECT TO THE CONDITIONS THAT IT NOT BE USED OR CAUSED TO BE USED IN ANY WAY HARMFUL TO CONRADER AND BE RETURNED ON DEMAND.



R. CONRADER ERIE PA
 SRV765 1 1/4 NPT
 CRN 0G06391.2C
 UV XXX PSI XXX SCFM 20XX

NOTES:

- * OPERATING TEMPERATURE RANGE: -65°F TO 400°F
- * SET PRESSURE RANGE: 201-300 psig
- * SET PRESSURE TOLERANCE: ±2 psig UP TO AND INCLUDING 70 psig, ±3% OF SET PRESSURE GREATER THAN 70 psig.
- * SEAT TIGHTNESS: BUBBLE TIGHT WITHIN 5 psig FOR SET PRESSURE 50 psig OR LESS. BUBBLE TIGHT WITHIN 10% FOR SET PRESSURE GREATER THAN 50 psig.
- * VALVE WEIGHT: 2.16 lbmass

R. CONRADER COMPANY 749 EAST 18TH STREET P.O. BOX 924 ERIE, PA 16512-0924 (814) 898-2727	DESCRIPTION DIM. OUTLINE	ISSUED BY NRP	ISSUED 6/16/2008	GROUP SV
	VALVE MODEL SRV765-11/4 (201-300 psig)	REVISIONS NRP	REVISION 3/29/2016	PAGE 4 OF 6
MATERIAL	SCALE 1:1	DRAWING NO. 5694B	REVISION E	

THIS DOCUMENT CONTAINS INFORMATION CONFIDENTIAL TO CONRADER. LOANED SUBJECT TO THE CONDITIONS THAT IT NOT BE USED OR CAUSED TO BE USED IN ANY WAY HARMFUL TO CONRADER AND BE RETURNED ON DEMAND.


CONRADER
SRV765 FLOW CAPACITY

<u>SETTING (PSI)</u>	<u>SCFM</u>
25	304
30	340
37	395
40	418
45	457
50	496
55	536
60	575
65	614
70	653
75	693
80	732
85	771
90	810
95	849
100	889
105	928
110	967
115	1006
120	1045
125	1085
130	1124
135	1163
140	1202
145	1242
150	1281
155	1320
160	1359

<u>SETTING (PSI)</u>	<u>SCFM</u>
165	1398
170	1438
175	1477
180	1516
185	1555
190	1594
195	1634
200	1673
205	1712
210	1751
215	1791
220	1830
225	1869
230	1908
235	1947
240	1987
245	2026
250	2065
255	2104
260	2143
265	2183
270	2222
275	2261
280	2300
285	2340
290	2379
295	2418
300	2457