



**Pressure Relief Valve
Model: SRV530**



Set Pressure Range: 25-300 psig

Set Pressure Tolerance: ± 2 psig up to and including 70 psig, $\pm 3\%$ of set pressure greater than 70 psig. As required in Table 3.6.3.1-2, in ASME Boiler & Pressure Vessel Code Sec. XIII.

**Seat Leakage: Bubble Tight within 5 psig for set pressure 50 psig or less
Bubble Tight within 10% for set pressure greater than 50 psig
As required in paragraph 2.2.3 of API 527.**

Flow Factor (Slope Method): 3.35

Operating Temperature Range: -65°F to 400°F

Materials of Construction:

Seat, Cap, Piston: ASTM B16 Brass or ASTM A582 Stainless

Spring: 17-7 Stainless Steel

Seal: Silicone or Viton

Valve Weight: 0.61 lbm

Valve Options:

Valve Material: ASTM B16 Brass or ASTM A582 Stainless

Compliance with European PED 2014/68/EU, "CE" Stamp

Seal: Silicone (-65°F to 400°F) or Viton (-15°F to 400°F)

Plating: Nickel Plating

Inlet Sizes: 1/2 NPT, BSPT, or BSPP

3/4 NPT, BSPT, or BSPP

Certifications:

ASME Boiler & Pressure Vessel Code Section XIII

CSA B51-03 Boiler, Pressure, Vessel, and Pressure Piping Code



CONRADER

Ordering Information

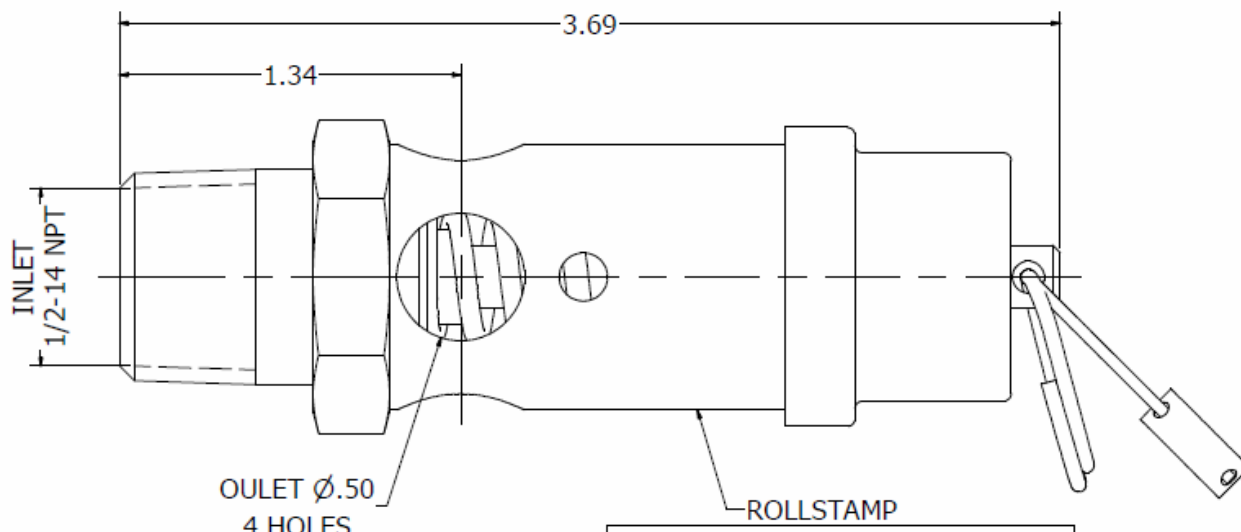
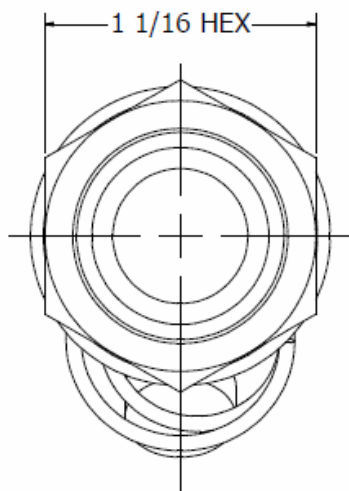
SRV530		-	3/4		-	BSPT		-	SS		-	V		-	CE		-	SC		-	SST		-	150	
Connection Size		Connection Type		Construction Material		Seal Material		Optional Code		Serialized		Thread Sealant		Pressure Setting											
Option	Code	Option	Code	Option	Code	Option	Code	Option	Code	Option	Code	Option	Code	Option	Code										
1/2"	1/2	NPT	(Blank)	Brass	(Blank)	Silicone	(Blank)	None	(Blank)	None	(Blank)	None	(Blank)	None	(Blank)										
3/4"	3/4	BSPT	BSPT	Nickel Plated	NP	Viton®	V	CE Mark	CE	Serialized	SC	White	SST												
				Stainless Steel	SS			Non-Code	NC																

Options

1. Connection Size: The available sizes are 1/2" or 3/4".
2. Connection Type
 - a. NPT – Pipe Threads made to the ASME B1.20.1 Standard
 - b. BSPT – Pipe Threads made to the ISO 7-1 Standard
3. Construction Material
 - a. Brass
 - b. Nickel Plated – Electroless Nickel Plated Brass
 - c. Stainless Steel
4. Seal Material
 - a. Silicone
 - b. Viton®
5. Optional Code
 - a. None: Will meet the requirements of ASME BPV Code Section XIII.
 - b. CE/UKCA Mark: Valve has the “CE/UKCA” certification for the European PED and UK PESR.
 - c. Non-Code: For valves with a pressure setting below 25 psi.
6. Serialized Valves: Have a unique serial number and include certificate.
7. Thread Sealant
 - a. White colored thread sealant

Examples:

1. A 1/2" NPT brass valve with a silicone seal set 200 psi is **SRV530-1/2-200**.
2. A 3/4" BSPT brass valve with a Viton seal and white thread sealant set at 100 psi is **SRV530-3/4-BSPT-V-SST-100**.



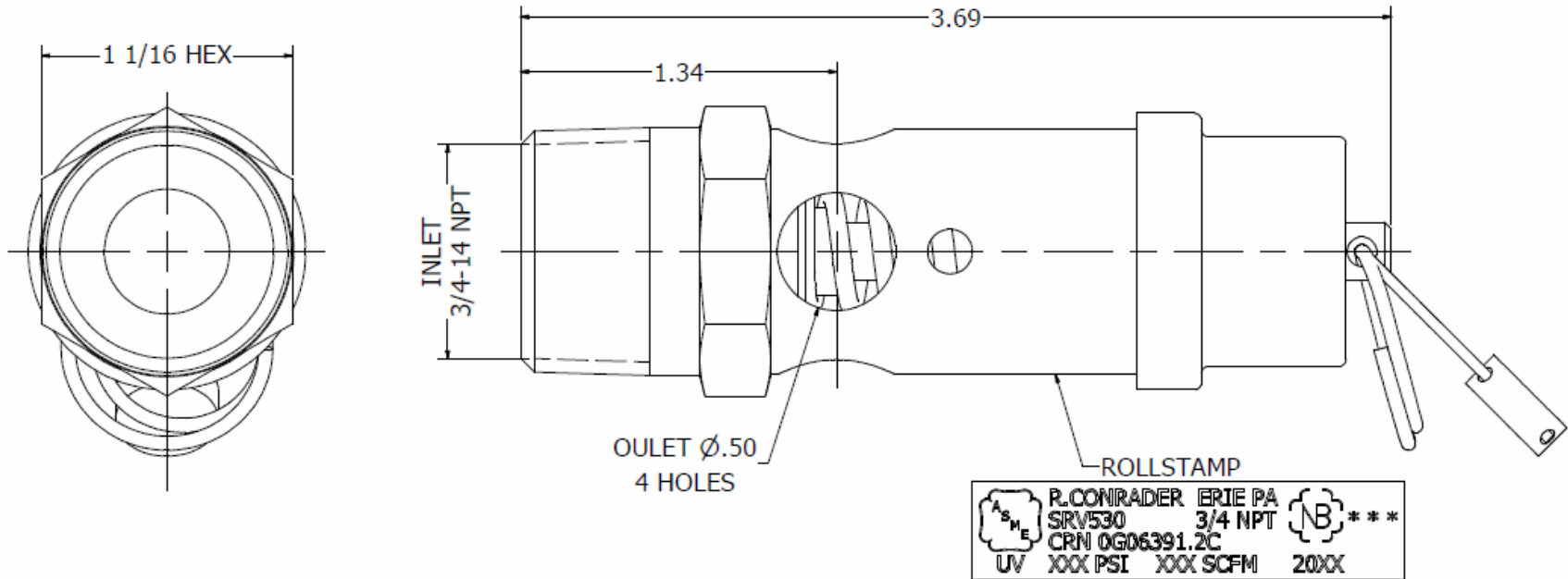
ROLLSTAMP
 R. CONRADER ERIE PA
 SRV530 1/2 NPT
 CRN 0G06391.2C
 UV XXX PSI XXX SCFM 20XX



NOTES:

- * OPERATING TEMPERATURE RANGE: -65°F TO 400°F
- * SET PRESSURE RANGE: 25-300 psig
- * SET PRESSURE TOLERANCE: ±2 psig UP TO AND INCLUDING 70 psig, ±3% OF SET PRESSURE GREATER THAN 70 psig.
- * SEAT TIGHTNESS: BUBBLE TIGHT WITHIN 5 psig FOR SET PRESSURE 50 psig OR LESS. BUBBLE TIGHT WITHIN 10% FOR SET PRESSURE GREATER THAN 50 psig.
- * VALVE WEIGHT: 0.55 lbmass

R. CONRADER COMPANY 749 EAST 18TH STREET P.O. BOX 924 ERIE, PA 16512-0924 (814) 898-2727	DESCRIPTION DIM. OUTLINE	ISSUED BY NRP	ISSUED 7/1/2008	GROUP SV	
	VALVE MODEL SRV530-1/2	REVISED BY NRP	REVISED 3/21/2016	PAGE 3 OF 5	
MATERIAL	SCALE 3:2	DRAWING NO. 5713	REVISION F		

THIS DOCUMENT CONTAINS INFORMATION CONFIDENTIAL TO CONRADER. LOANED SUBJECT TO THE CONDITIONS THAT IT NOT BE USED OR CAUSED TO BE USED IN ANY WAY HARMFUL TO CONRADER AND BE RETURNED ON DEMAND.





R. CONRADER ERIE PA
SRV530 3/4 NPT
CRN 0G06391.2C


UV XXX PSI XXX SCFM 20XX

NOTES:

- * OPERATING TEMPERATURE RANGE: -65°F TO 400°F
- * SET PRESSURE RANGE: 25-300 psig
- * SET PRESSURE TOLERANCE: ±2 psig UP TO AND INCLUDING 70 psig, ±3% OF SET PRESSURE GREATER THAN 70 psig.
- * SEAT TIGHTNESS: BUBBLE TIGHT WITHIN 5 psig FOR SET PRESSURE 50 psig OR LESS. BUBBLE TIGHT WITHIN 10% FOR SET PRESSURE GREATER THAN 50 psig.
- * VALVE WEIGHT: 0.63 lbmass

 R. CONRADER COMPANY 749 EAST 18TH STREET P.O. BOX 924 ERIE, PA 16512-0924 (814) 898-2727	DESCRIPTION DIM. OUTLINE	ISSUED BY L. CONTI	ISSUED 8/23/1994	GROUP SV
	VALVE MODEL SRV530-3/4	REVISOR NRP	REVISED 3/21/2016	PAGE 3 OF 5
<small>THIS DOCUMENT CONTAINS INFORMATION CONFIDENTIAL TO CONRADER. LOANED SUBJECT TO THE CONDITIONS THAT IT NOT BE USED OR CAUSED TO BE USED IN ANY WAY HARMFUL TO CONRADER AND BE RETURNED ON DEMAND.</small>	MATERIAL	SCALE 3:2	DRAWING NO. 1302	REVISION L

SRV530 FLOW CAPACITY

<u>SETTING (PSI)</u>	<u>SCFM</u>
25	143
30	159
37	185
40	196
45	215
50	233
55	251
60	270
65	288
70	307
75	325
80	344
85	362
90	380
95	399
100	417
105	436
110	454
115	473
120	491
125	509
130	528
135	546
140	565
145	583
150	601
155	620
160	638

<u>SETTING (PSI)</u>	<u>SCFM</u>
165	657
170	675
175	694
180	712
185	730
190	749
195	767
200	786
205	804
210	823
215	841
220	859
225	878
230	896
235	915
240	933
245	952
250	970
255	988
260	1007
265	1025
270	1044
275	1062
280	1081
285	1099
290	1117
295	1136
300	1154