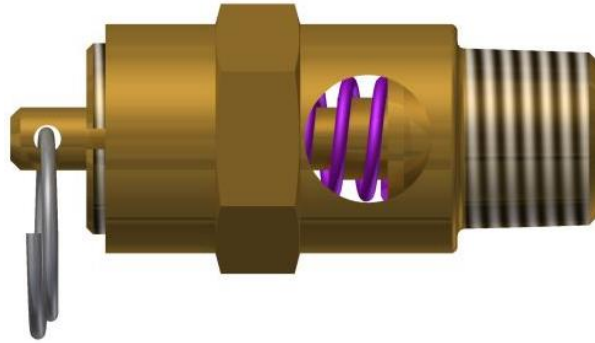




**Pressure Relief Valve
Model: SRV250**



Set Pressure Range: 25-450 psig

Set Pressure Tolerance: ± 2 psig up to and including 70 psig, $\pm 3\%$ of set pressure greater than 70 psig. As required in Table 3.6.3.1-2 of the ASME Boiler & Pressure Vessel Code Sec. XIII.

**Seat Leakage: Bubble Tight within 5 psig for set pressure 50 psig or less
Bubble Tight within 10% for set pressure greater than 50 psig
As required in paragraph 2.2.3 of API 527.**

Flow Factor (Slope Method): 0.74

Operating Temperature Range: -65° to 400° F

Materials of Construction:

Seat, Cap, Piston: ASTM B16 Brass or ASTM A582 Stainless

Spring: 17-7 Stainless Steel

Seal: Silicone, Viton or EPDM

Valve Weight: 0.10 lbm

Valve Options:

Valve Material: ASTM B16 Brass or ASTM A582 Stainless

Compliance with European PED 2014/68/EU, "CE" Stamp

Seal: Silicone (25-350 psig @ -65° to 400° F) or Viton (25-450 psig @ -15° to 400° F)

High Pressure Setting 351-450 psi (Valve Weight 0.11 lbm)

Plating: Nickel Plating

Inlet NPT Sizes: 1/8 NPT or BSPT

1/4 NPT, BSPT, or BSPP

3/8 NPT, BSPT, or BSPP

Certifications:

ASME Boiler & Pressure Vessel Code Section XIII

CSA B51-03 Boiler, Pressure, Vessel, and Pressure Piping Code

CONRADER

Ordering Information

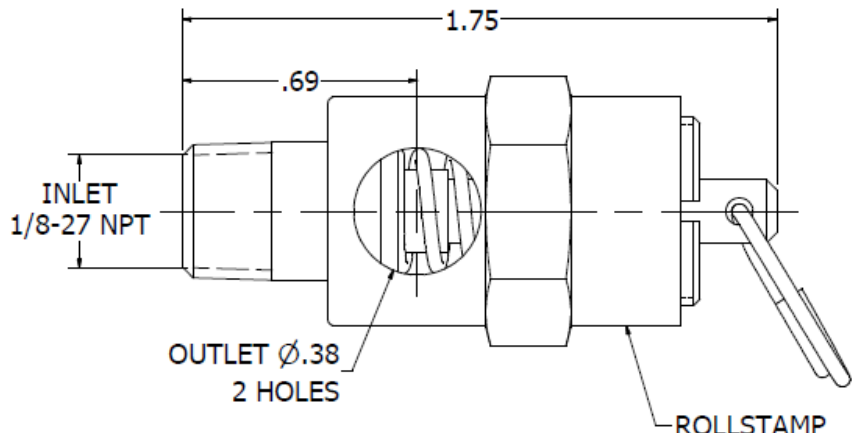
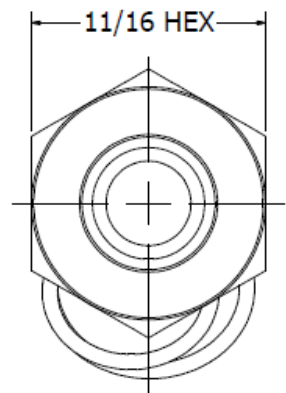
SRV250		- 1/4		- BSPT		- SS		- V		- CE		- SC		- SST		- 150	
Connection Size		Connection Type		Construction Material		Seal Material		Optional Code		Serialized		Thread Sealant		Pressure Setting			
Option	Code	Option	Code	Option	Code	Option	Code	Option	Code	Option	Code	Option	Code	Option	Code		
1/8"	1/8	NPT	(Blank)	Brass	(Blank)	Silicone	(Blank)	None	(Blank)	None	(Blank)	None	(Blank)	None	(Blank)		
1/4"	1/4	BSPT	BSPT	Nickel Plated	NP	Viton®	V	CE Mark	CE	Serialized	SC	White	SST				
3/8"	3/8"			Stainless Steel	SS			Non-Code	NC								

Options

1. Connection Size: The available sizes are 1/8", 1/4", or 3/8".
2. Connection Type
 - a. NPT – Pipe Threads made to the ASME B1.20.1 Standard
 - b. BSPT – Pipe Threads made to the ISO 7-1 Standard
 - c. BSPP – Pipe Threads made to the ISO 7-1 Standard
3. Construction Material
 - a. Brass
 - b. Nickel Plated – Electroless Nickel Plated Brass
 - c. Stainless Steel
4. Seal Material
 - a. Silicone
 - b. Viton®
 - c. EPDM
5. Optional Code
 - a. None: Will meet the requirements of ASME BPV Code Section XIII.
 - b. CE/UKCA Mark: Valve has the “CE/UKCA” certification for the European PED and UK PESR.
 - c. Non-Code: For valves with a pressure setting below 25 psi.
6. Serialized Valves: Have a unique serial number and include certificate.
7. Thread Sealant
 - a. White colored thread sealant

Examples:

1. A 1/4" NPT brass valve with a silicone seal set 200 psi is **SRV250-1/4-200**.
2. A 1/8" BSPT brass valve with a Viton seal and white thread sealant set at 100 psi is **SRV250-1/8-BSPT-V-SST-100**.



ROLLSTAMP
 *** ASME R. CONRADER ERIE PA NB
 *** SRV250 1/8 NPT
 *** CRN 0G06391.2C
 UV XXX PSI XXX SCFM 20XX

NOTES:

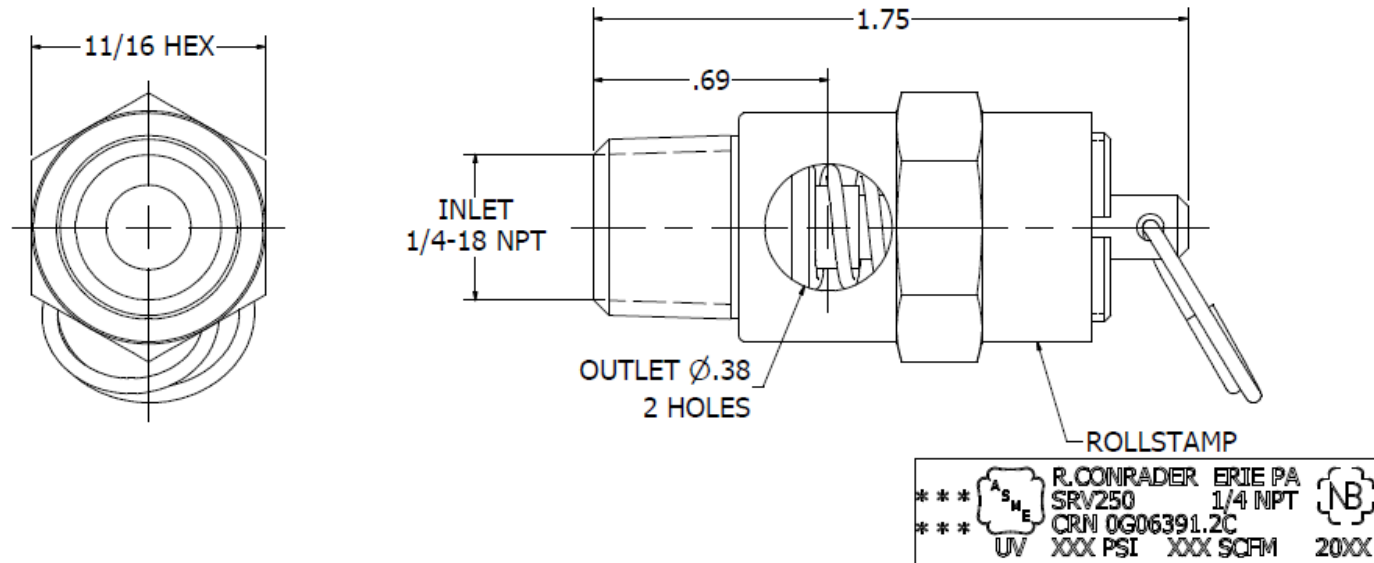
- * OPERATING TEMPERATURE RANGE: -65°F TO 400°F
- * SET PRESSURE RANGE: 25-350 psig
- * SET PRESSURE TOLERANCE: ±2 psig UP TO AND INCLUDING 70 psig, ±3% OF SET PRESSURE GREATER THAN 70 psig.
- * SEAT TIGHTNESS: BUBBLE TIGHT WITHIN 5 psig FOR SET PRESSURE 50 psig OR LESS. BUBBLE TIGHT WITHIN 10% FOR SET PRESSURE GREATER THAN 50 psig.
- * VALVE WEIGHT: 0.09 lbmass

CONRADER VALVES R. CONRADER COMPANY
 749 EAST 18TH STREET P.O. BOX 924
 ERIE, PA 16512-0924 (814) 898-2727

THIS DOCUMENT CONTAINS INFORMATION CONFIDENTIAL TO CONRADER. LOANED SUBJECT TO THE CONDITIONS THAT IT NOT BE USED OR CAUSED TO BE USED IN ANY WAY HARMFUL TO CONRADER AND BE RETURNED ON DEMAND.


DESCRIPTION	DIM. OUTLINE
VALVE MODEL	SRV250-1/8
MATERIAL	

ISSUED BY	ISSUED	GROUP
STAUFFER	1/27/2005	SV
REVISED BY	REVISED	PAGE 2 OF 4
NRP	1/20/2016	
SCALE	DRAWING NO.	REVISION
2:1	5008	F

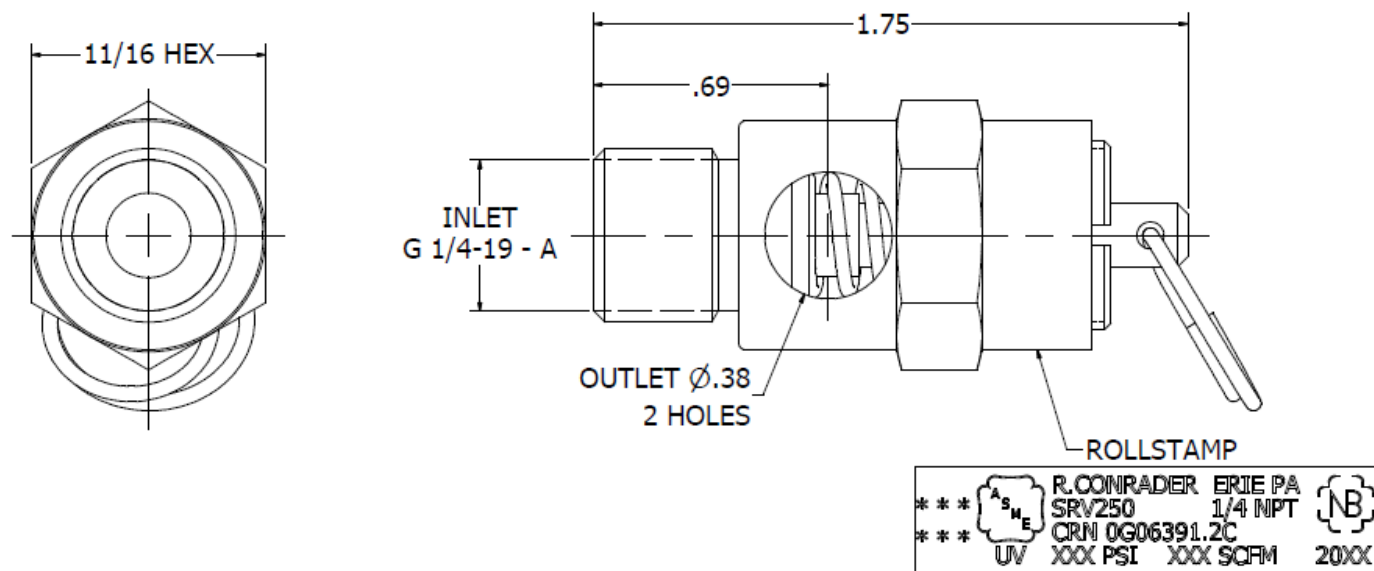


NOTES:



- * OPERATING TEMPERATURE RANGE: -65°F TO 400°F
- * SET PRESSURE RANGE: 25-350 psig
- * SET PRESSURE TOLERANCE: ± 2 psig UP TO AND INCLUDING 70 psig, $\pm 3\%$ OF SET PRESSURE GREATER THAN 70 psig.
- * SEAT TIGHTNESS: BUBBLE TIGHT WITHIN 5 psig FOR SET PRESSURE 50 psig OR LESS. BUBBLE TIGHT WITHIN 10% FOR SET PRESSURE GREATER THAN 50 psig.
- * VALVE WEIGHT: 0.10 lbmass

 R. CONRADER COMPANY 749 EAST 18TH STREET P.O. BOX 924 ERIE, PA 16512-0924 (814) 898-2727	DESCRIPTION	ISSUED BY	ISSUED	GROUP
	DIM. OUTLINE	L. CONTI	8/22/1994	SV
VALVE MODEL	REVISOR	REVISOR	REVISION	
SRV250-1/4	NRP	1/20/2016	I	PAGE 2 OF 4
MATERIAL	SCALE	DRAWING NO.		
	2:1	1299		

THIS DOCUMENT CONTAINS INFORMATION CONFIDENTIAL TO CONRADER. LOANED SUBJECT TO THE CONDITIONS THAT IT NOT BE USED OR CAUSED TO BE USED IN ANY WAY HARMFUL TO CONRADER AND BE RETURNED ON DEMAND.



ROLLSTAMP

***		R. CONRADER	ERIE PA	
***		SRV250	1/4 NPT	
***		CRN 0G06391.2C		
		UV	XXX PSI XXX SCFM	20XX

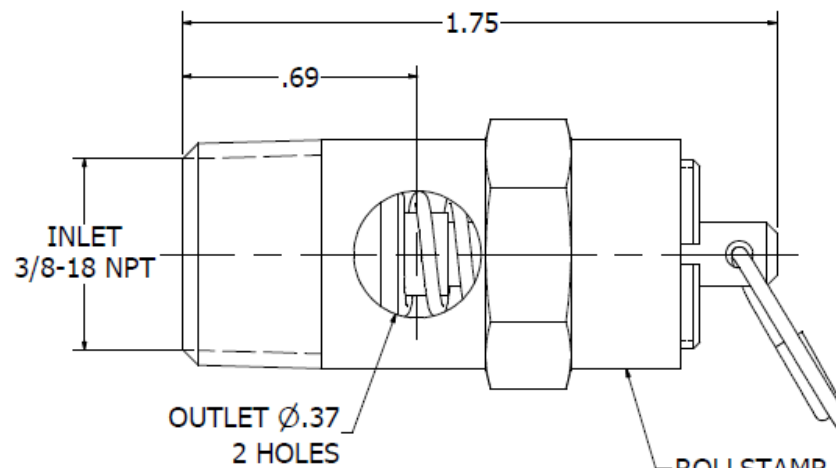
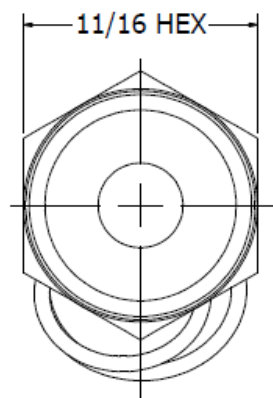
- NOTES:
- * OPERATING TEMPERATURE RANGE: -15°F TO 400°F
 - * SET PRESSURE RANGE: 25-350 psig
 - * SET PRESSURE TOLERANCE: ±2 psig UP TO AND INCLUDING 70 psig, ±3% OF SET PRESSURE GREATER THAN 70 psig.
 - * SEAT TIGHTNESS: BUBBLE TIGHT WITHIN 5 psig FOR SET PRESSURE 50 psig OR LESS. BUBBLE TIGHT WITHIN 10% FOR SET PRESSURE GREATER THAN 50 psig.
 - * VALVE WEIGHT: 0.10 lbmass

CONRADER VALVES
 R. CONRADER COMPANY
 749 EAST 18TH STREET P.O. BOX 924
 ERIE, PA 16512-0924 (814) 898-2727

THIS DOCUMENT CONTAINS INFORMATION CONFIDENTIAL TO CONRADER. LOANED SUBJECT TO THE CONDITIONS THAT IT NOT BE USED OR CAUSED TO BE USED IN ANY WAY HARMFUL TO CONRADER AND BE RETURNED ON DEMAND.

DESCRIPTION	DIM. OUTLINE
VALVE MODEL	SRV250-1/4-BSPPA-V
MATERIAL	

ISSUED BY	NRP	ISSUED	1/10/2013	GROUP	SV
REVISED BY	NRP	REVISED	1/20/2016	PAGE 2 OF 6	
SCALE	2:1	DRAWING NO.	6940	REVISION	
				B	



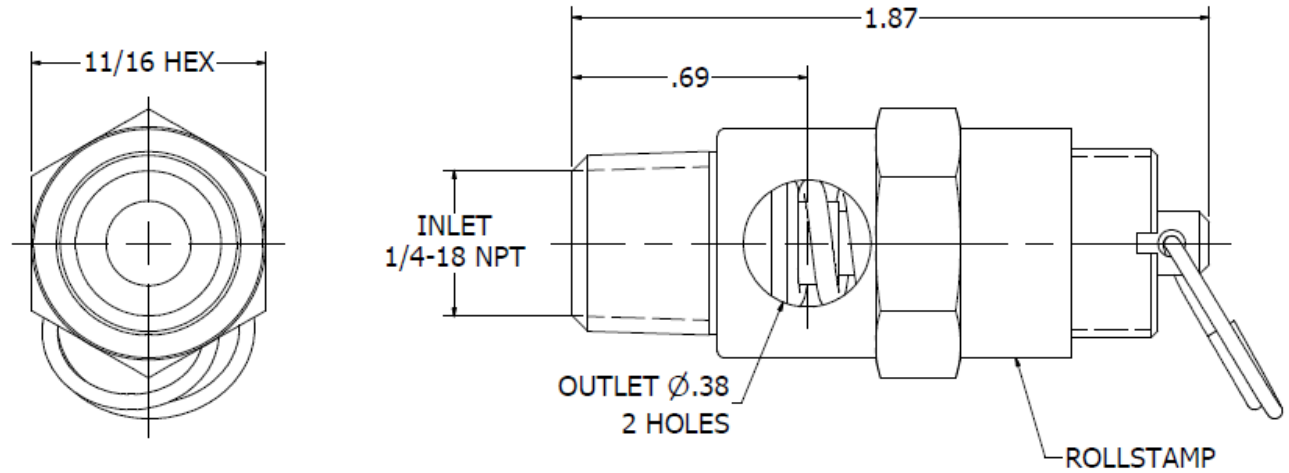
ROLLSTAMP

***	ASME	R. CONRADER	ERIE PA	NB
***		SRV250	3/8 NPT	
***		CRN 0G06391.2C		
	UV	XXX PSI	XXX SCFM	20XX



NOTES:

- * OPERATING TEMPERATURE RANGE: -65°F TO 400°F
- * SET PRESSURE RANGE: 25-350 psig
- * SET PRESSURE TOLERANCE: ±2 psig UP TO AND INCLUDING 70 psig, ±3% OF SET PRESSURE GREATER THAN 70 psig.
- * SEAT TIGHTNESS: BUBBLE TIGHT WITHIN 5 psig FOR SET PRESSURE 50 psig OR LESS. BUBBLE TIGHT WITHIN 10% FOR SET PRESSURE GREATER THAN 50 psig.
- * VALVE WEIGHT: 0.12 lbmass


<p>R. CONRADER COMPANY 749 EAST 18TH STREET P.O. BOX 924 ERIE, PA 16512-0924 (814) 898-2727</p> <p>THIS DOCUMENT CONTAINS INFORMATION CONFIDENTIAL TO CONRADER. LOANED SUBJECT TO THE CONDITIONS THAT IT NOT BE USED OR CAUSED TO BE USED IN ANY WAY HARMFUL TO CONRADER AND BE RETURNED ON DEMAND.</p>	DESCRIPTION	ISSUED BY	ISSUED	GROUP
	DIM. OUTLINE	STAUFFER	4/17/2008	SV
	VALVE MODEL	REVISED BY	REVISED	PAGE 2 OF 4
	SRV250-3/8	NRP	1/20/2016	
MATERIAL	SCALE	DRAWING NO.	REVISION	
	2:1	5633	F	



ROLLSTAMP

***		R. CONRADER	ERIE PA	
***		SRV250	1/4 NPT	
***		CRN 0G06391.2C		
		UV	XXX PSI XXX SCFM	20XX

- NOTES:
- * OPERATING TEMPERATURE RANGE: -15°F TO 400°F
 - * SET PRESSURE RANGE: 351-450 psig
 - * SET PRESSURE TOLERANCE: ±3% OF SET PRESSURE.
 - * SEAT TIGHTNESS: BUBBLE TIGHT WITHIN 10% OF SET PRESSURE.
 - * VALVE WEIGHT: 0.12 lbmass

 R. CONRADER COMPANY 749 EAST 18TH STREET P.O. BOX 924 ERIE, PA 16512-0924 (814) 898-2727	DESCRIPTION	ISSUED BY	ISSUED	GROUP
	DIM. OUTLINE	NRP	5/30/2008	SV
	VALVE MODEL	REVISOR	REVISOR	PAGE 4 OF 6
	SRV250-1/4-V (351-450 psig)	NRP	1/20/2016	
MATERIAL	SCALE	DRAWING NO.	REVISION	
	2:1	5663N	E	

THIS DOCUMENT CONTAINS INFORMATION CONFIDENTIAL TO CONRADER. LOANED SUBJECT TO THE CONDITIONS THAT IT NOT BE USED OR CAUSED TO BE USED IN ANY WAY HARMFUL TO CONRADER AND BE RETURNED ON DEMAND.

SRV250 FLOW CAPACITY

<u>SETTING (PSI)</u>	<u>SCFM</u>
25	31
30	35
35	39
40	43
45	47
50	51
55	55
60	59
65	63
70	67
75	71
80	75
85	80
90	84
95	88
100	92
105	96
110	100
115	104
120	108
125	112
130	116
135	120
140	124
145	128
150	132
155	137
160	141
165	145

<u>SETTING (PSI)</u>	<u>SCFM</u>
170	149
175	153
180	157
185	161
190	165
195	169
200	173
205	177
210	181
215	185
220	189
225	194
230	198
235	202
240	206
245	210
250	214
255	218
260	222
265	226
270	230
275	234
280	238
285	242
290	246
295	251
300	255
305	259
310	263

<u>SETTING (PSI)</u>	<u>SCFM</u>
315	267
320	271
325	275
330	279
335	283
340	287
345	291
350	295
355	299
360	303
365	307
370	312
375	316
380	320
385	324
390	328
395	332
400	336
405	340
410	344
415	348
420	352
425	356
430	360
435	364
440	369
445	373
450	377