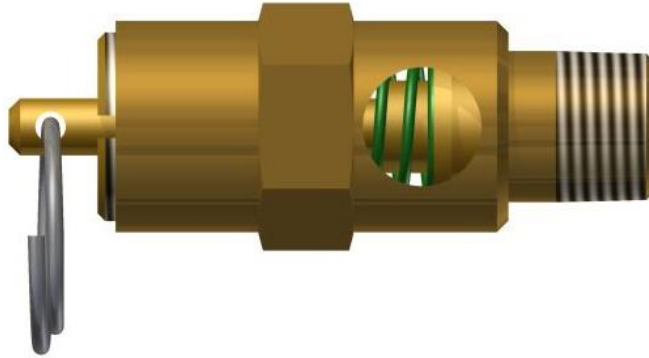




**Pressure Relief Valve  
Model: SRV187**



**Set Pressure Range: 25-250 psig**

**Set Pressure Tolerance:  $\pm 2$  psig up to and including 70 psig,  $\pm 3\%$  of set pressure greater than 70 psig. As required in Table 3.6.3.1-2, in ASME Boiler & Pressure Vessel Code Sec. XIII.**

**Seat Leakage: Bubble Tight within 5 psig for set pressure 50 psig or less  
Bubble Tight within 10% for set pressure greater than 50 psig  
As required in paragraph 2.2.3 of API 527.**

**Flow Factor (Slope Method): 0.41**

**Operating Temperature Range:  $-65^{\circ}\text{F}$  to  $400^{\circ}\text{F}$**

**Materials of Construction:**

**Seat, Cap, Piston: ASTM B16 Brass**

**Spring: 17-7 Stainless Steel**

**Seal: Silicone, Viton or EPDM**

**Valve Weight: 0.06 lbm**

**Valve Options:**

**Valve Material: ASTM B16 Brass**

**Compliance with European PED 2014/68/EU, "CE" Stamp**

**Seal: Silicone ( $-65^{\circ}\text{F}$  to  $400^{\circ}\text{F}$ ) or Viton ( $-15^{\circ}\text{F}$  to  $400^{\circ}\text{F}$ )**

**Plating: Nickel Plating**

**Inlet NPT Sizes: 1/8 NPT or BSPT**

**1/4 NPT or BSPT**

**Certifications:**

**ASME Boiler & Pressure Vessel Code Section XIII**

**CSA B51 Boiler, Pressure, Vessel, and Pressure Piping Code**



# CONRADER

## Ordering Information

SRV187		-	1/8		-	BSPT		-	NP		-	V		-	CE		-	SC		-	SST		-	150	
Connection Size		Connection Type		Construction Material		Seal Material		Optional Code		Serialized		Thread Sealant		Pressure Setting											
Option	Code	Option	Code	Option	Code	Option	Code	Option	Code	Option	Code	Option	Code	Option	Code										
1/8"	1/8	NPT	(Blank)	Brass	(Blank)	Silicone	(Blank)	None	(Blank)	None	(Blank)	None	(Blank)	None	(Blank)										
1/4"	1/4	BSPT	BSPT	Nickel Plated	NP	Viton®	V	CE Mark	CE	Serialized	SC	White	SST												
						Non-Code	NC																		

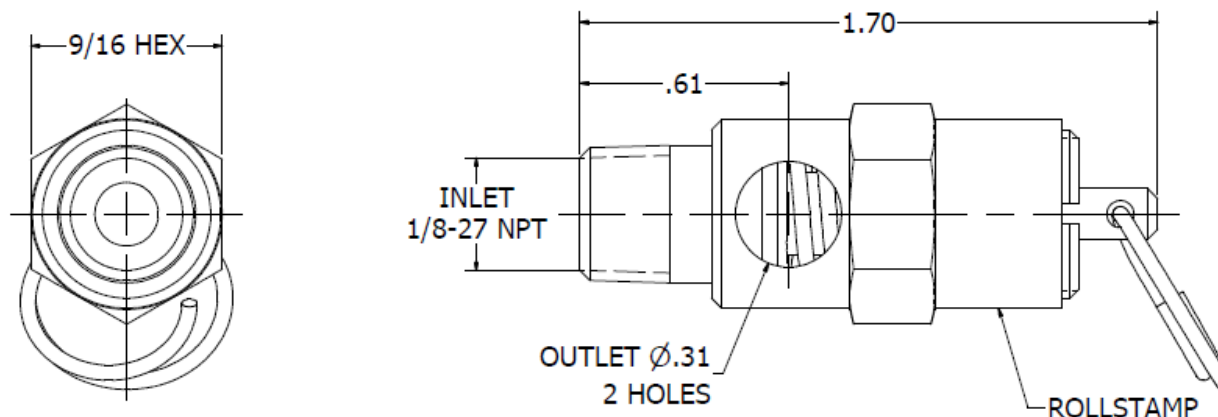
## Options

1. Connection Size: The available sizes are 1/8" or 1/4".
2. Connection Type
  - a. NPT – Pipe Threads made to the ASME B1.20.1 Standard
  - b. BSPT – Pipe Threads made to the ISO 7-1 Standard
  - c. BSPP – Pipe Threads made to the ISO 7-1 Standard
3. Construction Material
  - a. Brass
  - b. Nickel Plated – Electroless Nickel Plated Brass
4. Seal Material
  - a. Silicone
  - b. Viton®
  - c. EPDM
5. Optional Code
  - a. None: Will meet the requirements of ASME BPV Code Section XIII.
  - b. CE Mark: Valve has the “CE” certification for the European PED.
  - c. Non-Code: For valves with a pressure setting below 25 psi.
6. Serialized Valves: Have a unique serial number and include certificate.
7. Thread Sealant
  - a. White colored thread sealant

### Examples:

1. A 1/4" NPT brass valve with a silicone seal set 200 psi is **SRV187-1/4-200**.
2. A 1/8" BSPT brass valve with a Viton seal and white thread sealant set at 100 psi is **SRV187-1/8-BSPT-V-SST-100**.


THIRD ANGLE PROJECTION



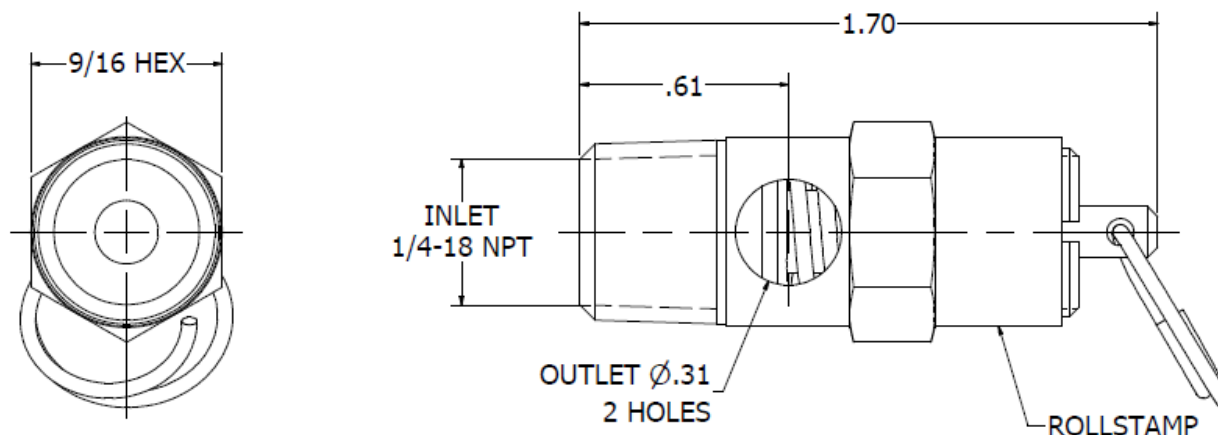
\*\*\*  R. CONRADER ERIE PA  
 SRV187 1/8 NPT   
 \*\*\* CRN 0G06391.2C  
 UV XXX PSI XXX SCFM 20XX

NOTES:

- \* OPERATING TEMPERATURE RANGE: -65°F TO 400°F
- \* SET PRESSURE RANGE: 25-250 psig
- \* SET PRESSURE TOLERANCE: ±2 psig UP TO AND INCLUDING 70 psig, ±3% OF SET PRESSURE GREATER THAN 70 psig.
- \* SEAT TIGHTNESS: BUBBLE TIGHT WITHIN 5 psig FOR SET PRESSURE 50 psig OR LESS. BUBBLE TIGHT WITHIN 10% FOR SET PRESSURE GREATER THAN 50 psig.
- \* VALVE WEIGHT: 0.07 lbmass

 R. CONRADER COMPANY 749 EAST 18TH STREET P.O. BOX 924 ERIE, PA 16512-0924 (814) 898-2727	DESCRIPTION <b>DIM. OUTLINE</b>	ISSUED BY <b>L. CONTI</b>	ISSUED <b>1/26/1995</b>	GROUP <b>SV</b>
	VALVE MODEL <b>SRV187-1/8</b>	REVISIONS <b>NRP</b>	REVISED BY <b>NRP</b>	REVISED <b>1/14/2016</b>
THIS DOCUMENT CONTAINS INFORMATION CONFIDENTIAL TO CONRADER. LOANED SUBJECT TO THE CONDITIONS THAT IT NOT BE USED OR CAUSED TO BE USED IN ANY WAY HARMFUL TO CONRADER AND BE RETURNED ON DEMAND.	MATERIAL	SCALE <b>2:1</b>	DRAWING NO. <b>1309</b>	REVISION <b>I</b>

THIRD ANGLE PROJECTION



\*\*\* ASME R.CONRADER ERIE PA NB  
 \*\*\* SRV187 1/4 NPT  
 \*\*\* CRN 0G06391.2C  
 UV XXX PSI XXX SCFM 20XX

NOTES:

- \* OPERATING TEMPERATURE RANGE: -65°F TO 400°F
- \* SET PRESSURE RANGE: 25-250 psig
- \* SET PRESSURE TOLERANCE: ±2 psig UP TO AND INCLUDING 70 psig, ±3% OF SET PRESSURE GREATER THAN 70 psig.
- \* SEAT TIGHTNESS: BUBBLE TIGHT WITHIN 5 psig FOR SET PRESSURE 50 psig OR LESS. BUBBLE TIGHT WITHIN 10% FOR SET PRESSURE GREATER THAN 50 psig.
- \* VALVE WEIGHT: 0.08 lbmass

R. CONRADER COMPANY 749 EAST 18TH STREET P.O. BOX 924 ERIE, PA 16512-0924 (814) 898-2727	DESCRIPTION <b>DIM. OUTLINE</b>	ISSUED BY <b>L.CONTI</b>	ISSUED <b>1/25/1995</b>	GROUP <b>SV</b>
	VALVE MODEL <b>SRV187-1/4</b>	REVISIONS <b>NRP</b>	REVISED <b>1/14/2016</b>	PAGE 2 OF 4
THIS DOCUMENT CONTAINS INFORMATION CONFIDENTIAL TO CONRADER. LOANED SUBJECT TO THE CONDITIONS THAT IT NOT BE USED OR CAUSED TO BE USED IN ANY WAY HARMFUL TO CONRADER AND BE RETURNED ON DEMAND.	MATERIAL	SCALE <b>2:1</b>	DRAWING NO. <b>1300</b>	REVISION <b>H</b>

 **CONRADER**  
SRV187 FLOW CAPACITY

<u>SETTING (PSI)</u>	<u>SCFM</u>
25	17
30	19
35	21
40	24
45	26
50	28
55	30
60	33
65	35
70	37
75	39
80	42
85	44
90	46
95	48
100	51
105	53
110	55
115	57
120	60
125	62
130	64
135	66

<u>SETTING (PSI)</u>	<u>SCFM</u>
140	69
145	71
150	73
155	75
160	78
165	80
170	82
175	84
180	87
185	89
190	91
195	93
200	96
205	98
210	100
215	102
220	105
225	107
230	109
235	112
240	114
245	116
250	118