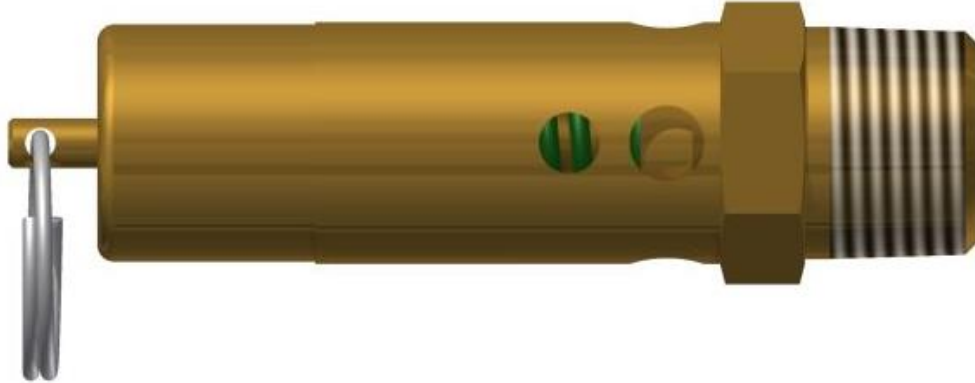




**Pressure Relief Valve
Model: SRH375**



Set Pressure Range: 50-350 psig

Set Pressure Tolerance: ± 2 psig up to and including 70 psig, $\pm 3\%$ of set pressure greater than 70 psig. As required in paragraph UG-134(d)(1) of the ASME Boiler & Pressure Vessel Code Sec. XIII.

**Seat Leakage: No audible leak at 45% set pressure at 25-74 psig.
No audible leak at 90% set pressure above 74 psig.
As required by Conrader Standards, allowed by paragraph UG-136(d)(5) of the ASME Boiler & Pressure Vessel Code Sec. XIII.**

Flow Factor (Slope Method): 1.67

Operating Temperature Range: -65°F to 400°F

Materials of Construction:

**Seat, Cap, Piston: ASTM B16 Brass or ASTM A582 Stainless
Spring: 302 Stainless Steel
Sealing Ball: 440 Stainless Steel**

Valve Weight: 0.405 lbm

Valve Options:

**Valve Material: ASTM B16 Brass or ASTM A582 Stainless
Compliance with European PED 2014/68/EU, "CE" Stamp
Compliance with UK PESR SI 2016 no. 1105 as amended, "UK CA" Stamp
Plating: Nickel Plating
Inlet NPT Sizes: 3/8 NPT or BSPT
1/2 NPT or BSPT**

Certifications:

**ASME Boiler & Pressure Vessel Code Section XIII
CSA B51-03 Boiler, Pressure, Vessel, and Pressure Piping Code**



CONRADER

Ordering Information

SRH375		-	1/2		-	BSPT		-	SS		-	CE		-	SC		-	SST		-	150	
Connection Size		Connection Type		Construction Material		Optional Code		Serialized		Thread Sealant		Pressure Setting										
Option	Code	Option	Code	Option	Code	Option	Code	Option	Code	Option	Code											
3/8"	3/8	NPT	(Blank)	Brass	(Blank)	None	(Blank)	None	(Blank)	None	(Blank)	150										
1/2"	1/2	BSPT	BSPT	Nickel Plated	NP	CE Mark	CE	Serialized	SC	White	SST											
				Stainless Steel	SS	Non-Code	NC															

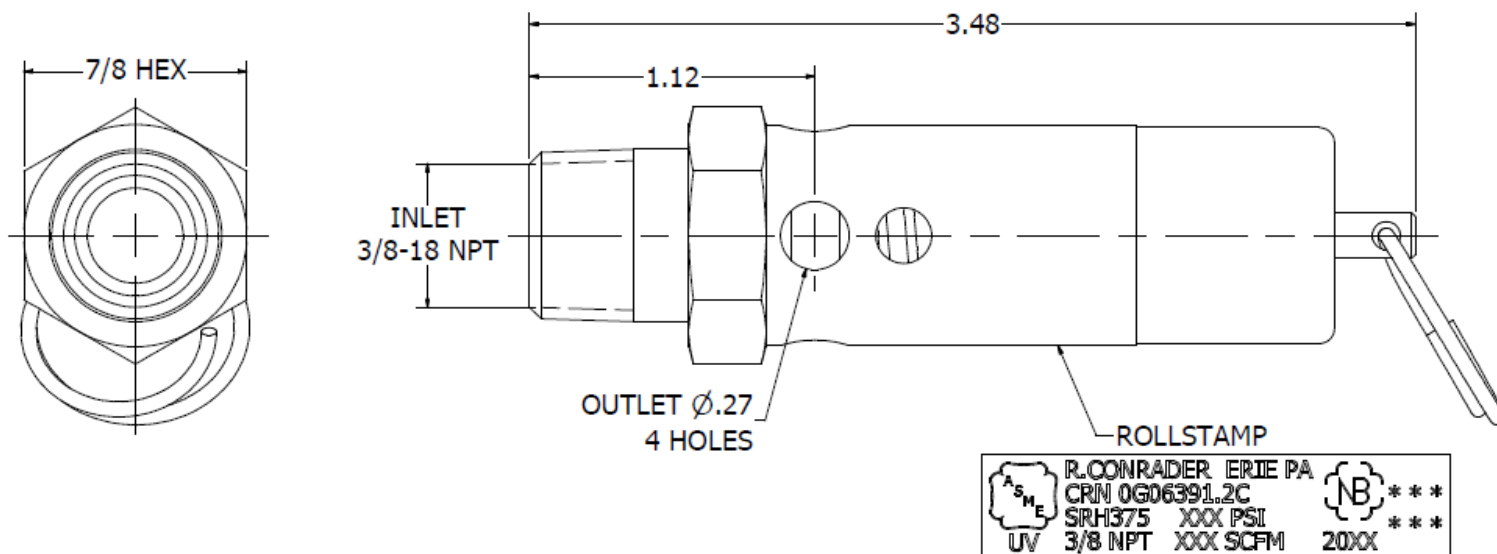
Options

1. Connection Size: The available sizes are 3/8" or 1/2".
2. Connection Type
 - a. NPT – Pipe Threads made to the ASME B1.20.1 Standard
 - b. BSPT – Pipe Threads made to the ISO 7-1 Standard
3. Construction Material
 - a. Brass
 - b. Nickel Plated – Electroless Nickel Plated Brass
 - c. Stainless Steel
4. Optional Code
 - a. None: Will meet the requirements of ASME BPV Code Section XIII.
 - b. CE Mark: Valve has the “CE” mark for the European Union Pressure Equipment Directive.
 - c. Non-Code: For valves with a pressure setting below 25 psi.
5. Serialized Valves: Have a unique serial number and include certificate.
6. Thread Sealant
 - a. White colored thread sealant
 - b. Rust colored thread sealant

Examples:

1. A 1/2" NPT brass valve set 200 psi is **SRH375-1/2-200**.
2. A 3/8" BSPT brass valve with white thread sealant set at 100 psi is **SRH375-3/8-BSPT-SST-100**.

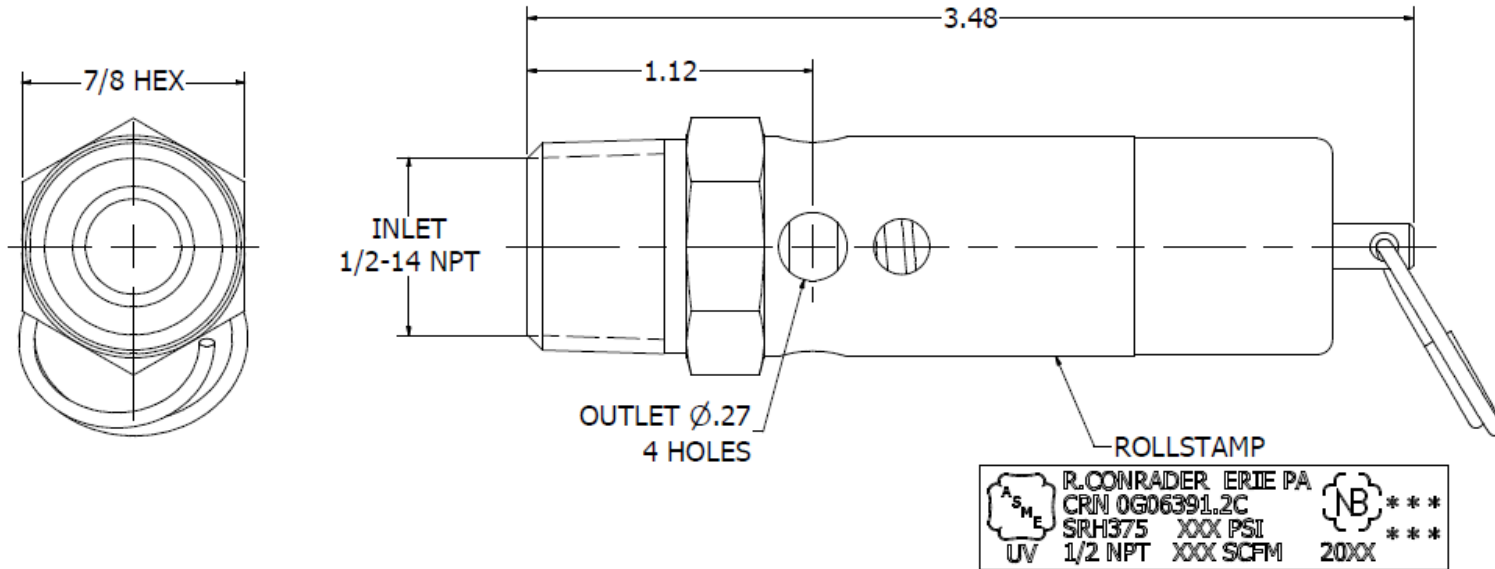
THIRD ANGLE PROJECTION



NOTES:

- * OPERATING TEMPERATURE RANGE: -65°F TO 400°F
- * SET PRESSURE RANGE: 50-350 psig
- * SET PRESSURE TOLERANCE: ± 2 psig UP TO AND INCLUDING 70 psig, $\pm 3\%$ OF SET PRESSURE GREATER THAN 70 psig.
- * SEAT TIGHTNESS: NO AUDIBLE LEAK AT 45% OF SET PRESSURE FOR SET PRESSURE 25-74 psig. NO AUDIBLE LEAK AT 90% OF SET PRESSURE FOR SET PRESSURE GREATER THAN 74 psig.
- * VALVE WEIGHT: 0.37 lbmass

	R. CONRADER COMPANY 749 EAST 18TH STREET P.O. BOX 924 ERIE, PA 16512-0924 (814) 898-2727	DESCRIPTION DIM. OUTLINE	ISSUED BY STAUFFER	ISSUED 10/30/2008	GROUP SV
	THIS DOCUMENT CONTAINS INFORMATION CONFIDENTIAL TO CONRADER. LOANED SUBJECT TO THE CONDITIONS THAT IT NOT BE USED OR CAUSED TO BE USED IN ANY WAY HARMFUL TO CONRADER AND BE RETURNED ON DEMAND.	VALVE MODEL SRH375-3/8	REVISOR NRP	REVISED 4/18/2016	PAGE 2 OF 4
	MATERIAL	SCALE 3:2	DRAWING NO. 4941		



NOTES:

- * OPERATING TEMPERATURE RANGE: -65°F TO 400°F
- * SET PRESSURE RANGE: 25-350 psig
- * SET PRESSURE TOLERANCE: ± 2 psig UP TO AND INCLUDING 70 psig, $\pm 3\%$ OF SET PRESSURE GREATER THAN 70 psig.
- * SEAT TIGHTNESS: NO AUDIBLE LEAK AT 45% OF SET PRESSURE FOR SET PRESSURE 25-74 psig. NO AUDIBLE LEAK AT 90% OF SET PRESSURE FOR SET PRESSURE GREATER THAN 74 psig.
- * VALVE WEIGHT: 0.41 lbmass

<p>R. CONRADER COMPANY 749 EAST 18TH STREET P.O. BOX 924 ERIE, PA 16512-0924 (814) 898-2727</p>	<p>DESCRIPTION DIM. OUTLINE</p>	<p>ISSUED BY L. CONTI</p>	<p>ISSUED 1/18/1995</p>	<p>GROUP SV</p>
	<p>VALVE MODEL SRH375-1/2</p>	<p>REVISOR NRP</p>	<p>REVISOR 4/18/2016</p>	<p>REVISION 0938</p>
<p>MATERIAL</p>	<p>SCALE 3:2</p>	<p>DRAWING NO. 0938</p>	<p>REVISION H</p>	

THIS DOCUMENT CONTAINS INFORMATION CONFIDENTIAL TO CONRADER. LOANED SUBJECT TO THE CONDITIONS THAT IT NOT BE USED OR CAUSED TO BE USED IN ANY WAY HARMFUL TO CONRADER AND BE RETURNED ON DEMAND.

SRH375 FLOW CAPACITY

<u>SETTING (PSI)</u>	<u>SCFM</u>
50	116
55	125
60	134
65	143
70	153
75	162
80	171
85	180
90	189
95	199
100	208
105	217
110	226
115	235
120	244
125	254
130	263
135	272
140	281
145	290
150	300
155	309
160	318
165	327
170	336
175	346
180	355
185	364
190	373
195	382
200	391

<u>SETTING (PSI)</u>	<u>SCFM</u>
205	401
210	410
215	419
220	428
225	437
230	447
235	456
240	465
245	474
250	483
255	492
260	502
265	511
270	520
275	529
280	538
285	548
290	557
295	566
300	575
305	584
310	594
315	603
320	612
325	621
330	630
335	639
340	649
345	658
350	667