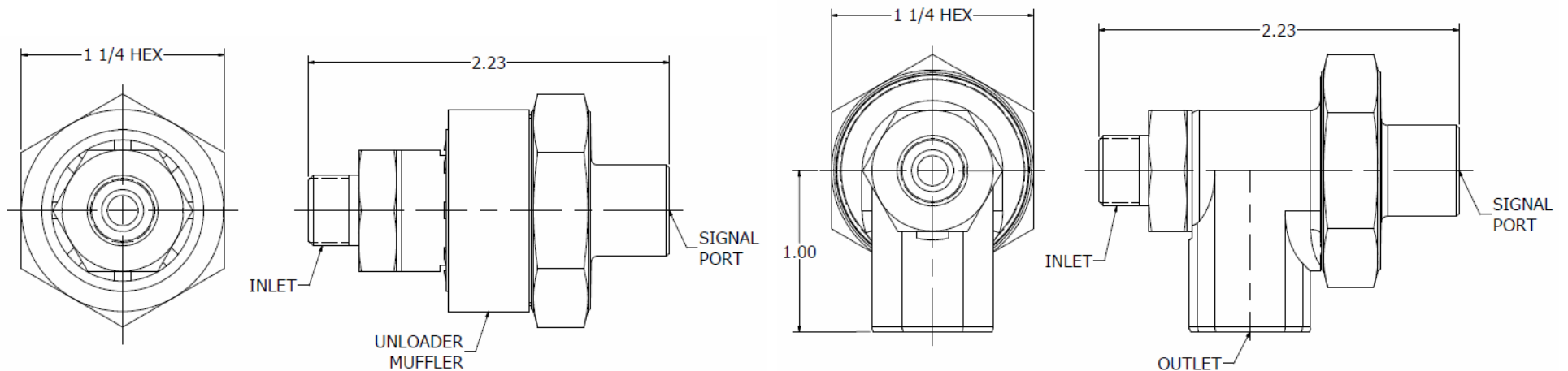




## Unloader Valve Model: D-Series



\*Dimensions will vary with different connections and configurations.

### Operating Specifications:

**Operating Pressure Range: 40 to 250 psig**

**Operating Temperature Range: -65°F to 400°F**

**Max Flow Capacity: 20 SCFM @ 100 psig**

**Flow Coefficient (Cv): 1.13**

### Available Connections:

**Connection Sizes: 1/4" to 3/8" (-4 to -6)**

**Connection Types: NPT, Compression**

### Materials of Construction:

**Body/Fittings: Brass**

**O-Rings: Silicone/Viton**

**Poppets: Reinforced PTFE**

**Springs: Stainless Steel**



## Ordering Information

D	1	-	M	-	SST
<b>Configuration Number</b>		<b>Unloader Outlet Option</b>		<b>Thread Sealant</b>	
See Available Configurations Below		<u>Option</u>	<u>Code</u>	<u>Option</u>	<u>Code</u>
		Muffler (Standard)	M	None	(Blank)
				White	SST

## Options

1. Configuration: Available configurations are listed on the following pages. If the configuration needed is not listed please contact us at [orders@conrader.com](mailto:orders@conrader.com)
2. Unloader Outlet
  - a. Muffler: The muffler comes standard and reduces the noise from the unloader.
3. Thread Sealant:
  - a. None
  - b. White colored thread sealant.

<b>Model</b>	<b><u>Unloader Inlet Connection</u></b>	<b><u>Unloader Outlet Connection</u></b>	<b><u>Signal Inlet Connection</u></b>
<b>D</b>	1/8" (-2) MALE NPT 1/8-27 NPT	1/4" (-4) FEMALE NPT 1/4-18 NPT	1/8" (-2) FEMALE NPT 1/8-27 NPT
<b>D1</b>	1/4" (-4) COMPRESSION 7/16-24 UNS-2A	UNLOADER MUFFLER	1/8" (-2) FEMALE NPT 1/8-27 NPT
<b>D2</b>	1/4" (-4) FEMALE NPT 1/4-18 NPT	UNLOADER MUFFLER	1/8" (-2) FEMALE NPT 1/8-27 NPT
<b>D3</b>	1/4" (-4) COMPRESSION 7/16-24 UNS-2A	1/4" (-4) FEMALE NPT 1/4-18 NPT	1/8" (-2) FEMALE NPT 1/8-27 NPT
<b>D4</b>	1/4" (-4) FEMALE NPT 1/4-18 NPT	1/4" (-4) FEMALE NPT 1/4-18 NPT	1/8" (-2) FEMALE NPT 1/8-27 NPT
<b>D5</b>	1/4" (-4) FEMALE NPT 1/4-18 NPT	1/4" (-4) FEMALE NPT 1/4-18 NPT	1/4" (-4) MALE NPT 1/4-18 NPT
<b>D6</b>	1/8" (-2) MALE NPT 1/8-27 NPT	UNLOADER MUFFLER	1/8" (-2) FEMALE NPT 1/8-27 NPT
<b>D7</b>	1/4" (-4) MALE NPT 1/4-18 NPT	UNLOADER MUFFLER	1/8" (-2) FEMALE NPT 1/8-27 NPT
<b>D8</b>	1/4" (-4) MALE NPT 1/4-18 NPT	1/4" (-4) FEMALE NPT WITH MUFFLER 1/4-18 NPT	1/8" (-2) FEMALE NPT 1/8-27 NPT
<b>D9</b>	3/8" (-6) COMPRESSION 9/16-24 UNEF-2A	UNLOADER MUFFLER	1/8" (-2) FEMALE NPT 1/8-27 NPT