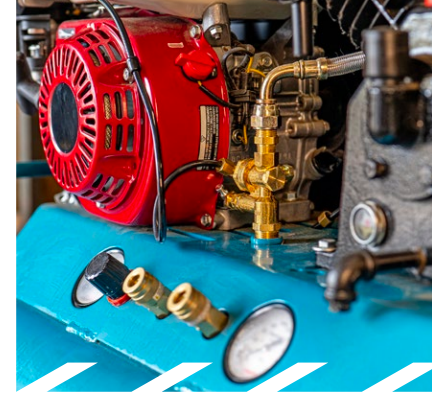




PRODUCT GUIDE



WHO WE ARE

Conrader Valves is a family owned and operated manufacturer located in Erie, PA, USA, with over 90 years' experience in manufacturing pneumatic valves and controls for the compressed air industry.

INNOVATION AND CREATIVITY

Possessing the most extensive air compressor control product offering in existence today, we continue to steadily expand our product line by taking a creative approach to meet the specific needs of every customer. While many of our valves are standard, we pride ourselves in the ability to develop custom products to meet your particular needs and specifications. Our in-house engineering team will do just that, taking your requirements and creating solutions to solve your existing problems.

RELIABILITY

Our valves are designed to withstand the rigors of a demanding performance-driven customer base, accomplishing this with a focus on providing zero-defect, consistently performing products. All valves are 100% tested prior to leaving our factory guaranteeing optimal safety and reliability.

MANUFACTURING

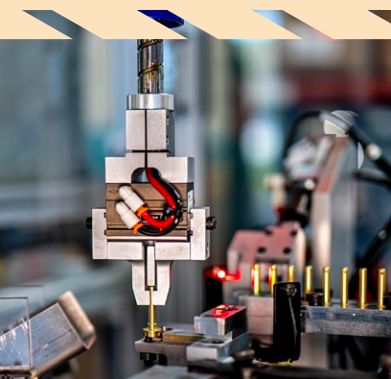
Our vertical capabilities allow us to control our manufacturing processes from start to finish, ensuring not only the highest level of quality, but the shortest turnaround time within the industry.

QUALITY

Our ISO 9001:2015 certified quality system is rooted in the philosophy of continual improvement which permeates throughout the organization. On a daily basis, our skilled workforce demonstrates a commitment to this principle and overall quality in everything they do.

CHALLENGING OUR COMPETITORS BY:

- providing the **shortest lead-time** in the industry;
- offering **same day** shipping for emergency repair needs, thus solidifying our commitment to our customers;
- **emphasizing cost effective solutions** for OEM applications;
- **constantly** remaining dependable and diversified in a fast-paced and continually technical challenging market.
- **committing** to progress and growth, with new product development and expanding our customer base.



Questions? Please Ask!

Phone: (814) 898-2727

E-Mail: sales@conrader.com

TABLE OF CONTENTS

Pressure Relief Valves

- SRV Series 4
- SRH Series 6
- CPR Series 8
- IRV Series 9
- CVR Series 10
- CNC Series 11
- CNK Series 12

Check Valves

- CT Series 13
- CTL Series 15
- CLB Series 17
- GV Series 18
- CLS Series 19
- S470 Series 20

Pilot Valves

- RC Series 21

Pilot Unloader Valves

- B & BL Series 22

Pilot Unloader Check Valves

- N, NS, NR, NL Series 23

Throttle Controls

- TC Series 26
- TCP Series 27

Discharge Valves

- D Series 28

Rotary Screw Controls

- ICV Series 29
- CMP Series 30
- SCR Series 31

Flow Regulators

- FR Series 32

Micro Valves

- MV Series 34

Additional Products

- W Series 36
- CTM Series 38
- SCV Series 39
- HV Series 40
- AIC Series 41

Terms, Conditions & Warranty . . . 42



3200 West 22nd Street, Erie, PA 16506
Phone: (814) 898-2727
Fax: (814) 898-3512
E-Mail: sales@conrader.com

PRESSURE RELIEF VALVES

SRV SERIES

Soft-Seat Safety Relief Valves



FEATURES

- ASME Section VIII-UV /National Board Certified
- Sizes available from 1/8" - 1 1/4"
- Designed to API 527 Seat Tightness Standard
- Registered in all Canadian provinces , CRN OG06391.2C
- ROHS compliant
- European Pressure Equipment Directive CE/ UKCA Certified
- Available in brass and stainless steel
- Operating temperature range -65° to 400° F
- Wide array of available options



Standard Configurations

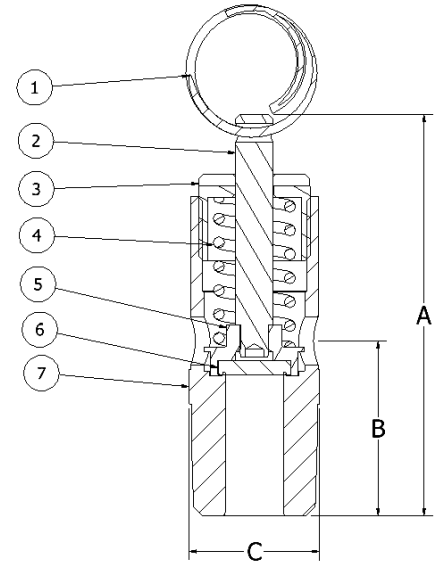
Part #	Model	Inlet	Body Material	Orifice Area (in ²)	Rated Slope	A (Length)	B (Vent Height)	C (Hex)	Weight (lbs)
1309	SRV187-1/8	1/8" MNPT	Brass	0.027	0.41	1.7"	0.61"	9/16"	0.07
1300	SRV187-1/4	1/4" MNPT	Brass	0.027	0.41	1.7"	0.61"	9/16"	0.08
5008	SRV250-1/8	1/8" MNPT	Brass	0.049	0.74	1.75"	0.69"	11/16"	0.09
1299	SRV250-1/4	1/4" MNPT	Brass	0.049	0.74	1.75"	0.69"	11/16"	0.1
5633	SRV250-3/8	3/8" MNPT	Brass	0.049	0.74	1.75"	0.69"	11/16"	0.12
6423	SRV250-1/4-SS	1/4" MNPT	Stainless	0.049	0.74	1.75"	0.69"	11/16"	0.1
7150	SRV250-3/8-SS	3/8" MNPT	Stainless	0.049	0.74	1.75"	0.69"	11/16"	0.11
5264	SRV390-3/8	3/8" MNPT	Brass	0.119	1.55	2.69"	1.17"	7/8"	0.24
5629	SRV390-1/2	1/2" MNPT	Brass	0.119	1.55	2.69"	1.17"	7/8"	0.28
6428	SRV390-1/2-SS	1/2" MNPT	Stainless	0.119	1.55	2.69"	1.17"	7/8"	0.28
6942	SRV390-3/8-SS	3/8" MNPT	Stainless	0.119	1.55	2.69"	1.17"	7/8"	0.28
6560	SRV530-1/2-SS	1/2" MNPT	Stainless	0.221	3.35	3.69"	1.34"	1 1/16"	0.53
6436	SRV530-3/4-SS	3/4" MNPT	Stainless	0.221	3.35	3.69"	1.34"	1 1/16"	0.59
5713	SRV530-1/2	1/2" MNPT	Brass	0.221	3.35	3.69"	1.34"	1 1/16"	0.55
1302	SRV530-3/4	3/4" MNPT	Brass	0.221	3.35	3.69"	1.34"	1 1/16"	0.61
1303	SRV765-1	1" MNPT	Brass	0.460	7.13	4.66"	1.63"	1 5/8"	1.5
5694	SRV765-1 1/4	1 1/4" MNPT	Brass	0.460	7.13	4.66"	1.63"	1 11/16"	1.77
1323	SRV765-1-SS	1" MNPT	Stainless	0.460	7.13	4.66"	1.63"	1 5/8"	1.44

Standard Material List

1	Pull Ring	Stainless Steel
2	Stem	Brass, ASTM B-16
3	Cap	Brass, ASTM B-16
4	Spring	17-7 Stainless Steel
5	Piston	Brass, ASTM B-16
6	Disc	Silicone
7	Seat	Brass, ASTM B-16

Options

Code	Description
SST	Pre-applied Sealant
BSPT	BSPT Threads
BSPP	BSPP Threads
CE	CE/UKCA Certified
NP	Nickel Plating
E	EPDM Disc
V	Viton Disc
SC	Serialized with certificate
O2	Oxygen Cleaned
NC	Non-Code
US	Unset
NS	No spring



Capacity Chart

psi	Bar	Stamped Capacity (SCFM)				
		SRV187 1/8" 1/4"	SRV250 1/8" 1/4" 3/8"	SRV390 3/8" 1/2"	SRV530 1/2" 3/4"	SRV765 1" 1-1/4"
25	1.72	17	31	66	143	304
30	2.07	19	35	73	159	340
35	2.41	21	39	82	178	379
40	2.76	24	43	90	196	418
45	3.10	26	47	99	215	457
50	3.45	28	51	108	233	496
55	3.79	30	55	116	251	536
60	4.14	33	59	125	270	575
65	4.48	35	63	133	288	614
70	4.83	37	67	142	307	653
75	5.17	39	71	150	325	693
80	5.52	42	75	159	344	732
85	5.86	44	80	167	362	771
90	6.21	46	84	176	380	810
95	6.55	48	88	184	399	849
100	6.89	51	92	193	417	889
105	7.24	53	96	201	436	928
110	7.58	55	100	210	454	967
115	7.93	57	104	218	473	1006
120	8.27	60	108	227	491	1045
125	8.62	62	112	235	509	1085
130	8.96	64	116	244	528	1124
135	9.31	66	120	252	546	1163
140	9.65	69	124	261	565	1202
145	10.00	71	128	270	583	1242
150	10.34	73	132	278	601	1281
155	10.69	75	137	287	620	1320
160	11.03	78	141	295	638	1359
165	11.38	80	145	304	657	1398
170	11.72	82	149	312	675	1438
175	12.07	84	153	321	694	1477
180	12.41	87	157	329	712	1516
185	12.76	89	161	338	730	1555
190	13.10	91	165	346	749	1594
195	13.44	93	169	355	767	1634
200	13.79	96	173	363	786	1673
205	14.13	98	177	372	804	1712
210	14.48	100	181	380	823	1751
215	14.82	102	185	389	841	1791
220	15.17	105	189	397	859	1830
225	15.51	107	194	406	878	1869
230	15.86	109	198	414	896	1908
235	16.20	112	202	423	915	1947

psi	Bar	Stamped Capacity (SCFM)				
		SRV187 1/8" 1/4"	SRV250 1/8" 1/4" 3/8"	SRV390 3/8" 1/2"	SRV530 1/2" 3/4"	SRV765 1" 1-1/4"
240	16.55	114	206	431	933	1987
245	16.89	116	210	440	952	2026
250	17.24	118	214	449	970	2065
255	17.58	-	218	457	988	2104
260	17.93	-	222	466	1007	2143
265	18.27	-	226	474	1025	2183
270	18.62	-	230	483	1044	2222
275	18.96	-	234	491	1062	2261
280	19.31	-	238	500	1081	2300
285	19.65	-	242	508	1099	2340
290	19.99	-	246	517	1117	2379
295	20.34	-	251	525	1136	2418
300	20.68	-	255	534	1154	2457
305	21.03	-	259	-	-	-
310	21.37	-	263	-	-	-
315	21.72	-	267	-	-	-
320	22.06	-	271	-	-	-
325	22.41	-	275	-	-	-
330	22.75	-	279	-	-	-
335	23.10	-	283	-	-	-
340	23.44	-	287	-	-	-
345	23.79	-	291	-	-	-
350	24.13	-	295	-	-	-
355	24.48	-	299	-	-	-
360	24.82	-	303	-	-	-
365	25.17	-	307	-	-	-
370	25.51	-	312	-	-	-
375	25.86	-	316	-	-	-
380	26.20	-	320	-	-	-
385	26.54	-	324	-	-	-
390	26.89	-	328	-	-	-
395	27.23	-	332	-	-	-
400	27.58	-	336	-	-	-
405	27.92	-	340	-	-	-
410	28.27	-	344	-	-	-
415	28.61	-	348	-	-	-
420	28.96	-	352	-	-	-
425	29.30	-	356	-	-	-
430	29.65	-	360	-	-	-
435	29.99	-	364	-	-	-
440	30.34	-	369	-	-	-
445	30.68	-	373	-	-	-
450	31.03	-	377	-	-	-

PRESSURE RELIEF VALVES

SRH SERIES

Hard-Seat Safety Relief Valves



FEATURES

- ASME Section VIII-UV /National Board Certified
- Sizes from 1/8" - 1"
- Precision machined seat and stainless ball
- Registered in all Canadian provinces , CRN OG06391.2C
- ROHS compliant
- European Pressure Equipment Directive CE/ UKCA Certified
- Available in brass and stainless steel
- Operating temperature range -65° to 400° F
- Wide array of available options



Standard Configurations

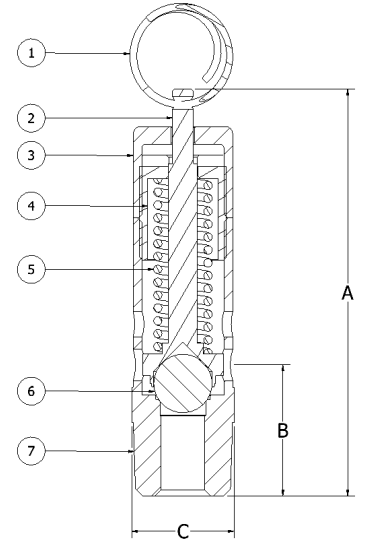
Part #	Model	Inlet	Body Material	Orifice Area (in ²)	Rated Slope	A (Length)	B (Vent Height)	C (Hex)	Weight (lbs)
5192	SRH250-1/8	1/8" MNPT	Brass	0.049	0.72	1.98"	0.67"	11/16"	0.1
0943	SRH250-1/4	1/4" MNPT	Brass	0.049	0.72	1.98"	0.67"	11/16"	0.11
5696	SRH250-3//8	3/8" MNPT	Brass	0.049	0.72	1.98"	0.67"	11/16"	0.13
6304	SRH250-1/4-SS	1/4" MNPT	Stainless	0.049	0.72	1.98"	0.67"	11/16"	0.11
4941	SRH375-3/8	3/8" MNPT	Brass	0.11	1.67	3.48"	1.12"	7/8"	0.37
0938	SRH375-1/2	1/2" MNPT	Brass	0.11	1.67	3.48"	1.12"	7/8"	0.41
6309	SRH375-1/2-SS	1/2" MNPT	Stainless	0.11	1.67	3.48"	1.12"	7/8"	0.39
0937	SRH580-3/4	3/4" MNPT	Brass	0.264	3.33	5.04"	1.45"	1 3/8"	1.15
0933	SRH580-1	1" MNPT	Brass	0.264	3.33	5.34"	1.75"	1 3/8"	1.37

Standard Material List

1	Pull Ring	Stainless Steel
2	Stem	Brass, ASTM B-16
3	Shroud	Brass, ASTM B-16
4	Cap	Brass, ASTM B-16
5	Spring	17-7 Stainless Steel
6	Ball	Stainless Steel
7	Seat	Brass, ASTM B-16

Options

Code	Description
SST	Pre-applied Sealant
BSPT	BSPT Threads
SD	Shroud
CE	CE/UKCA Certified
NP	Nickel Plating
SC	Serialized with certificate
O2	Oxygen Cleaned
NC	Non-Code
US	Unset
NS	No Spring



Capacity Chart

		Stamped Capacity (SCFM)		
psi	Bar	SRH250	SRH375	SRH580
		1/8" 1/4" 3/8"	3/8" 1/2"	3/4" 1"
25	1.72	30		142
30	2.07	34		158
35	2.41	38		177
40	2.76	42		195
45	3.10	46		213
50	3.45	50	116	232
55	3.79	54	125	250
60	4.14	58	134	268
65	4.48	62	143	287
70	4.83	66	153	305
75	5.17	69	162	323
80	5.52	73	171	341
85	5.86	77	180	360
90	6.21	81	189	378
95	6.55	85	199	396
100	6.89	89	208	415
105	7.24	93	217	433
110	7.58	97	226	451
115	7.93	101	235	470
120	8.27	105	244	488
125	8.62	109	254	506
130	8.96	113	263	525
135	9.31	117	272	543
140	9.65	121	281	561
145	10.00	125	290	580
150	10.34	129	300	598
155	10.69	133	309	616
160	11.03	137	318	635
165	11.38	141	327	653
170	11.72	145	336	671
175	12.07	149	346	689
180	12.41	153	355	708
185	12.76	157	364	726

		Stamped Capacity (SCFM)		
psi	Bar	SRH250	SRH375	SRH580
		1/8" 1/4" 3/8"	3/8" 1/2"	3/4" 1"
190	13.10	161	373	744
195	13.44	165	382	763
200	13.79	168	391	781
205	14.13	172	401	799
210	14.48	176	410	818
215	14.82	180	419	836
220	15.17	184	428	854
225	15.51	188	437	873
230	15.86	192	447	891
235	16.20	196	456	909
240	16.55	200	465	928
245	16.89	204	474	946
250	17.24	208	483	964
255	17.58	212	492	983
260	17.93	216	502	1001
265	18.27	220	511	1019
270	18.62	224	520	1037
275	18.96	228	529	1056
280	19.31	232	538	1074
285	19.65	236	548	1092
290	19.99	240	557	1111
295	20.34	244	566	1129
300	20.68	248	575	1147
305	21.03	252	584	
310	21.37	256	594	
315	21.72	260	603	
320	22.06	264	612	
325	22.41	267	621	
330	22.75	271	630	
335	23.10	275	639	
340	23.44	279	649	
345	23.79	283	658	
350	24.13	287	667	

PRESSURE RELIEF VALVES

CPR SERIES

Adjustable Pressure Relief Valves



FEATURES

- Field adjustable across a range of set pressures
- Sizes available from 1/8" - 1"
- Relieving capacity proportional to input
- Operating temperature range -65° to 250° F
- Top venting
- Can be ordered set or unset



Standard Configurations

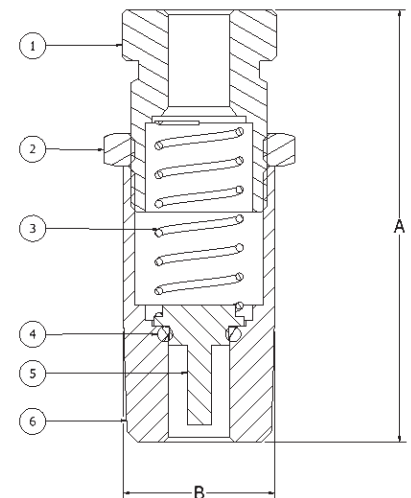
Part #	Model	Inlet	Seal Material	Set Pressure Range	Flow Capacity at 5 PSI Past Crack Pressure	A (Length)	B (Hex)	Weight (lbs)
7626	CPR25-1/8	1/8" MNPT	Stainless Ball	10-200 PSI	2 SCFM	1.71"	5/8"	0.08
5977	CPR25-1/4	1/4" MNPT	Stainless Ball	10-200 PSI	2 SCFM	1.71"	5/8"	0.09
5978	CPR38	3/8" MNPT	Nitrile Rubber	0-20 PSI	5 SCFM	1.96"	3/4"	0.15
7571	CPR50	1/2" MNPT	Nitrile Rubber	0-20 PSI	10 SCFM	2.61"	1 1/8"	0.36
5979	CPR75	3/4" MNPT	Nitrile Rubber	0-20 PSI	10 SCFM	2.61"	1 1/8"	0.42
5980	CPR1	1" MNPT	Nitrile Rubber	0-20 PSI	10 SCFM	4.82"	1 5/8"	1.48

Standard Material List

1	Cap	Brass, ASTM B-16
2	Locknut	Brass, ASTM B-16
3	Spring	Stainless Steel
4	Oring/Ball	Nitrile/Stainless Steel
5	Stem	Brass, ASTM B-16
6	Body	Brass, ASTM B-16

Options

Code	Description
SST	Pre-applied Sealant
BSPT	BSPT Threads





IRV SERIES

Inline Safety Relief Valves

FEATURES

- Straight through inline design with ported discharge
- Bubble tight within 10% of set pressure
- Set pressure range 25 to 450 psi
- Additional configurations available upon request
- Operating temperature range -65° to 400° F



Options

Code	Description
SST	Pre-applied Sealant
NP	Nickel Plated
SC	Serialized with certificate
O2	Oxygen Cleaned
V	Viton Disc
S	Silicone Disc

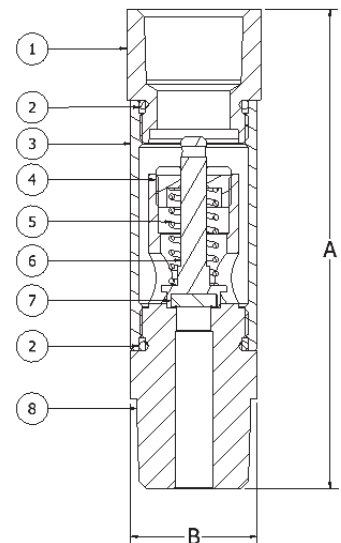
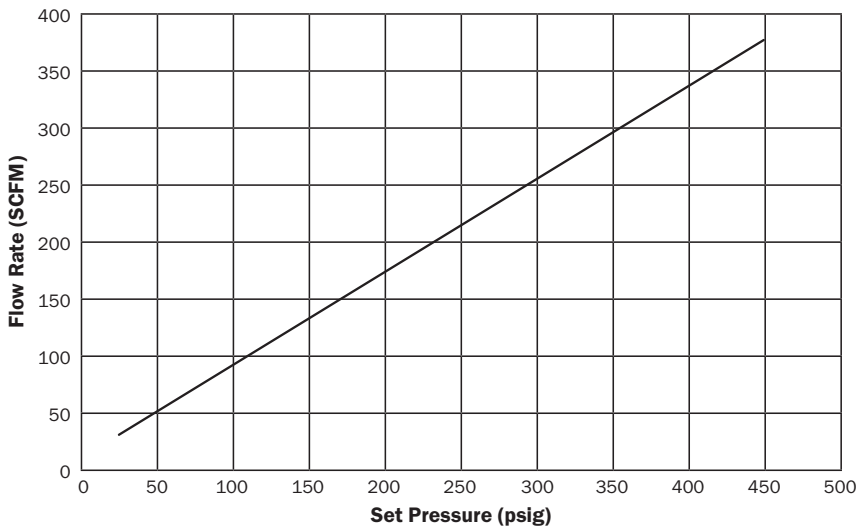
Standard Material List

1	Fitting	Brass
2	O-Ring	EPDM
3	Body	Brass
4	Cap	Brass
5	Spring	17-7 Stainless Steel
6	Piston	Brass
7	Disc	EPDM
8	Seat	Brass

Standard Configurations

Part #	Model	Inlet	Outlet	A (Length)	B (Hex)	Weight (lbs)
4852	IRV25	1/4 MNPT	1/4 FNPT	2.94"	15/16"	0.38
4853	IRV50	1/2 MNPT	1/2 FNPT	3.59"	15/16"	0.52

IRV Set Pressure vs. Flow Rate



PRESSURE RELIEF VALVES

CVR SERIES

Vacuum Relief Valves



FEATURES

- Field adjustable across a set range of inches of mercury
- Sizes available from 1/8" - 1"
- Relieving capacity proportional to input
- Operating temperature range -65° to 250° F
- Top venting



Standard Configurations

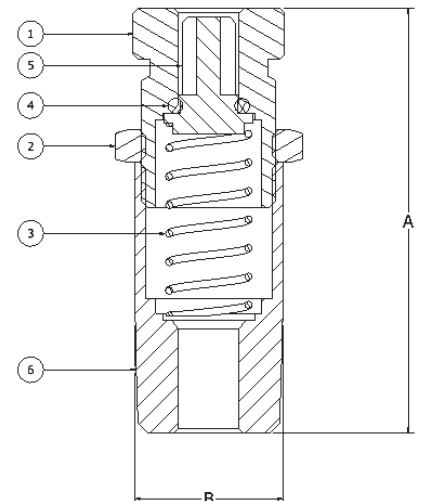
Part #	Model	Inlet	Vacuum Range	Max. Recommended Vacuum Pump Size	A (Length)	B (Hex)	Weight (lbs)
7627	CVR25-1/8	1/8" MNPT	0-27 IN HG	1/4 HP	1.71"	5/8"	0.08
5470	CVR25-1/4	1/4" MNPT	0-27 IN HG	1/4 HP	1.71"	5/8"	0.09
5373	CVR38	3/8" MNPT	0-27 IN HG	1 HP	1.96"	3/4"	0.15
7572	CVR50	1/2" MNPT	0-27 IN HG	3 HP	2.61"	1 1/8"	0.36
5478	CVR75	3/4" MNPT	0-27 IN HG	3 HP	2.61"	1 1/8"	0.42
6055	CVR1	1" MNPT	0-27 IN HG	5 HP	4.82"	1 5/8"	1.48

Standard Material List

1	Cap	Brass, ASTM B-16
2	Locknut	Brass, ASTM B-16
3	Spring	Stainless Steel
4	Oring/Ball	Nitrile/Stainless Steel
5	Stem	Brass, ASTM B-16
6	Body	Brass, ASTM B-16

Options

Code	Description
SST	Pre-applied Sealant
BSPT	BSPT Threads



CNC SERIES

Adjustable Safety Relief Valves



FEATURES

- Field adjustable across a range of set pressures
- Pop-style safety valve with soft seat
- Operating temperature range -65° to 250° F
- Side venting
- Bubble tight within 10% of set pressure



Standard Configurations

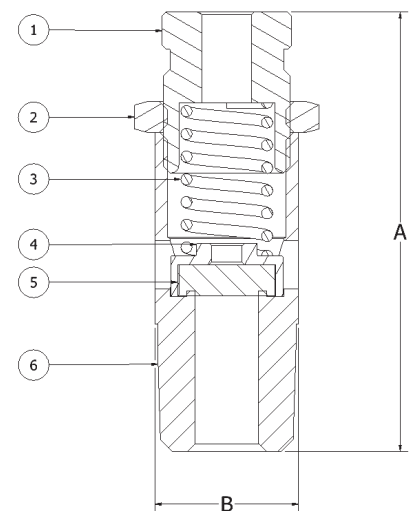
Part #	Model	Inlet	Set Pressure Range	A (Length)	B (Hex)	Weight (lbs)
5488	CNC25	1/4" MNPT	25-200 PSI	1.74"	5/8"	0.09

Standard Material List

1	Cap	Brass, ASTM B-16
2	Locknut	Brass, ASTM B-16
3	Spring	Stainless Steel
4	Piston	Brass, ASTM B-16
5	Disc	Silicone
6	Seat	Brass, ASTM B-16

Options

Code	Description
SST	Pre-applied Sealant
BSPT	BSPT Threads



PRESSURE RELIEF VALVES

CNK SERIES

Non-Code Safety Relief Valves



FEATURES

- Pop-style low profile safety valve
- Operating temperature range -65° to 250° F
- Top venting
- Bubble tight within 10% of set pressure
- Reseats at 65% of set pressure



Standard Configurations

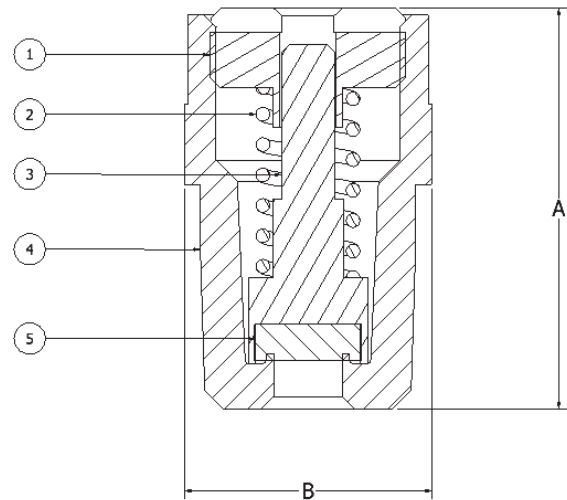
Part #	Model	Inlet	Set Pressure Range	A (Length)	B (Hex)	Weight (lbs)
5773	CNC25	1/4" MNPT	25-250 PSI	1.01"	5/8"	0.06

Standard Material List

1	Cap	Brass, ASTM B-16
2	Spring	Stainless Steel
3	Piston	Brass, ASTM B-16
4	Seat	Brass, ASTM B-16
5	Disc	Silicone

Options

Code	Description
SST	Pre-applied Sealant
BSPT	BSPT Threads



CHECK VALVES

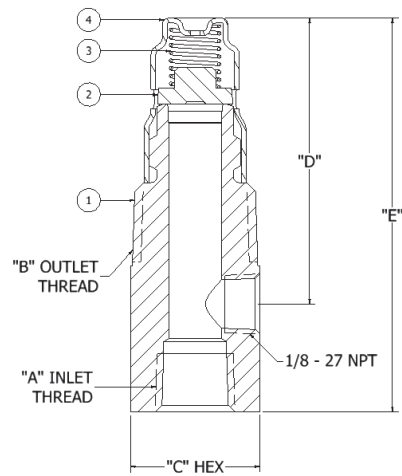
CT SERIES

Vertical In-Tank Check Valves



FEATURES

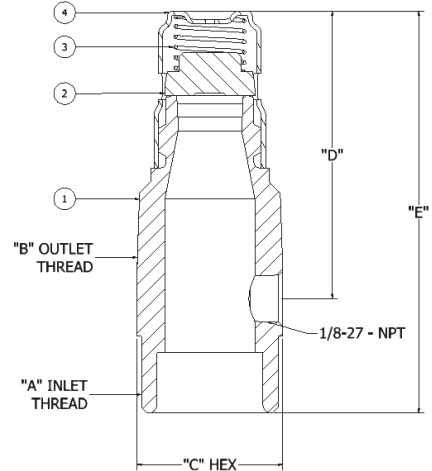
- Designed for use in non-return compressed air and gas applications
- High flow capacities
- Maximum operating pressure 500 psi
- Economical two piece design
- Operating temperature range -65 ° to 450 ° F
- Wide array of available options and configurations
- Standard 1/8" FNPT side port



Configurations - CTB Series - Female NPT Inlets

Part #	Model	"A" Inlet	"B" Outlet	Capacity @ 100 PSIG	Flow Factor (CV)	Crack Pressure (PSI)	E (Length)	D (Port Height)	C (Hex)	Weight (lbs)
4669	CTB1412	1/4" FNPT	1/2" MNPT	20 SCFM	2.3	2.2	2.66"	1.93"	7/8"	0.27
5873	CTB3838	3/8" FNPT	3/8" MNPT	15 SCFM	1.5	0.8	2.44"	1.69"	3/4"	0.15
0572	CTB3812	3/8" FNPT	1/2" MNPT	20 SCFM	2.3	2.2	2.67"	1.94"	7/8"	0.24
0574	CTB1212	1/2" FNPT	1/2" MNPT	20 SCFM	2.3	2.2	2.72"	1.92"	15/16"	0.25
0580	CTB1234	1/2" FNPT	3/4" MNPT	30 SCFM	3.9	0.5	3.18"	2.18"	1 3/16"	0.36
0581	CTB3434	3/4" FNPT	3/4" MNPT	30 SCFM	3.9	0.5	3.18"	2.18"	1 3/16"	0.42
0583	CTB121	1/2" FNPT	1" MNPT	60 SCFM	6.3	0.7	3.37"	2.57"	1 5/16"	0.76
0588	CTB11	1" FNPT	1" MNPT	60 SCFM	6.3	0.7	3.81"	2.58"	1 1/2"	0.81
0585	CTB341	3/4" FNPT	1" MNPT	60 SCFM	6.3	0.7	3.63"	2.59"	1 5/16"	0.73
3243	CTB34112	3/4" FNPT	1 1/2" MNPT	95 SCFM	13.7	1	2.86"	2.57"	2"	1.26
4627	CTB1114	1" FNPT	1 1/4" MNPT	95 SCFM	13.7	1	4.02"	2.84"	1 7/8"	1.76
0590	CTB114114	1 1/4" FNPT	1 1/4" MNPT	95 SCFM	13.7	1	4.02"	2.74"	1 7/8"	1.35
0592	CTB112112	1 1/2" FNPT	1 1/2" MNPT	95 SCFM	13.7	1	3.35"	2.61"	2 1/4"	1.14

CHECK VALVES



Configurations - CTD Series - Compression Inlets

Part #	Model	"A" Inlet	"B" Outlet	Capacity @ 100 PSIG	Flow Factor (CV)	Crack Pressure (PSI)	E (Length)	D (Port Height)	C (Hex)	Weight (lbs)
1020	CTD5812	5/8" Compression	1/2" MNPT	20 SCFM	2.3	2.2	2.81"	2"	7/8"	0.25
0578	CTD3412	3/4" Compression	1/2" MNPT	20 SCFM	2.3	2.2	2.73"	1.93"	1"	0.25
0563	CTD3812	3/8" Compression	1/2" MNPT	20 SCFM	2.3	2.2	2.66"	2.01"	7/8"	0.23
0576	CTD1212	1/2" Compression	1/2" MNPT	20 SCFM	2.3	2.2	2.66"	2.01"	7/8"	0.22
0651	CTD1234	1/2" Compression	3/4" MNPT	30 SCFM	3.9	0.5	2.71"	2"	1 1/16"	0.35
0648	CTD3434	3/4" Compression	3/4" MNPT	30 SCFM	3.9	0.5	2.93"	2.1"	1 1/16"	0.31
0586	CTD341	3/4" Compression	1" MNPT	60 SCFM	6.3	0.7	3.61"	2.78"	1 5/16"	0.75

Other Configurations

Part #	Model	"A" Inlet	"B" Outlet	Capacity @ 100 PSIG	Flow Factor (CV)	Crack Pressure (PSI)	E (Length)	D (Port Height)	C (Hex)	Weight (lbs)
2435	CTF1212	1/2" SAE Flare	1/2" MNPT	20 SCFM	2.3	2.2	2.88"	1.93"	7/8"	0.25
3803	CTF5834	5/8" SAE Flare	3/4" MNPT	30 SCFM	3.9	0.5	3.25"	2.11"	1 1/16"	0.4
4539	CTF3434	3/4" SAE Flare	3/4" MNPT	30 SCFM	3.9	0.5	3.37"	2.1"	1 1/16"	0.42
6632	CTJ3434	3/4" JIC Flare	3/4" MNPT	30 SCFM	3.9	0.5	3.4"	2.23"	1 1/8"	0.45
3229	CTG1212	1/2" Inverted Flare	1/2" MNPT	20 SCFM	2.3	2.2	2.72"	2.01"	1"	0.3
480	CTG3434	3/4" Inverted Flare	3/4" MNPT	30 SCFM	3.9	0.5	2.85"	2.06"	1 1/4"	0.43
2646	CTG5834	5/8" Inverted Flare	3/4" MNPT	30 SCFM	3.9	0.7	2.86"	2.15"	1 1/8"	0.44

Standard Material List

1	Body	Brass, ASTM B-16
2	Poppet	Glass Filled PTFE
3	Spring	Stainless Steel
4	Bottom	Plated Steel/Brass, ASTM B-16

Options

Code	Description
SST	Pre-applied Sealant
P1	Additional 1/8" NPT Port
P2	Additional 1/4" NPT Port
NP	Nickel Plating

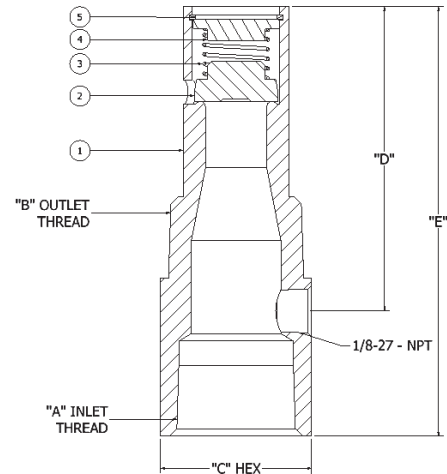
CTL SERIES

Vertical In-Tank Check Valves



FEATURES

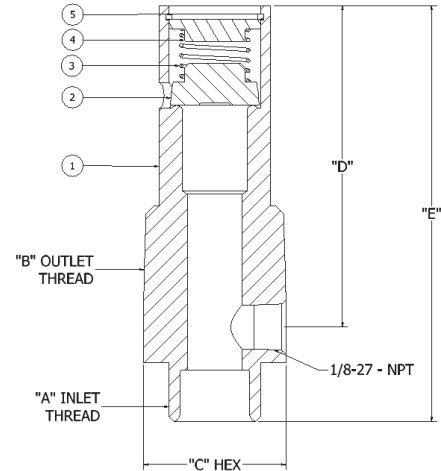
- Designed for use in non-return compressed air and gas applications
- One piece body construction
- Maximum operating pressure 500 psi
- High flow capacities
- Operating temperature range -65° to 450° F
- Field serviceable
- Standard 1/8" NPT side port



Configurations - CTLB Series - Female NPT Inlets

Part #	Model	"A" Inlet	"B" Outlet	Capacity @ 100 PSIG	Flow Factor (CV)	Crack Pressure (PSI)	E (Length)	D (Port Height)	C (Hex)	Weight (lbs)
5873	CTLB3838	3/8" FNPT	3/8" MNPT	15 SCFM	1.5	0.8	2.44"	1.69"	3/4"	0.15
5866	CTLB3812	3/8" FNPT	1/2" MNPT	20 SCFM	2.3	2.4	2.9"	2.17"	7/8"	0.3
5849	CTLB1212	1/2" FNPT	1/2" MNPT	20 SCFM	2.3	2.4	2.91"	2.14"	15/16"	0.3
5859	CTLB1234	1/2" FNPT	3/4" MNPT	30 SCFM	3.9	0.5	3.33"	2.38"	1 1/16"	0.44
5844	CTLB3434	3/4" FNPT	3/4" MNPT	30 SCFM	3.9	0.5	3.38"	2.39"	1 3/16"	0.47
5855	CTLB11	1" FNPT	1" MNPT	60 SCFM	6.3	0.8	4.18"	2.95"	1 1/2"	0.88
5851	CTLB341	3/4" FNPT	1" MNPT	60 SCFM	6.3	0.8	3.85"	2.85"	1 5/16"	0.71
5894	CTLB34112	3/4" FNPT	1 1/2" MNPT	150 SCFM	20.1	0.6	3.79"	3.04"	2"	1.87
5862	CTLB114114	1 1/4" FNPT	1 1/4" MNPT	130 SCFM	17.4	0.6	4.34"	3.24"	1 7/8"	1.28
5879	CTLB112112	1 1/2" FNPT	1 1/2" MNPT	150 SCFM	20.1	0.6	4.34"	3.19"	2 1/8"	1.61

CHECK VALVES



Configurations - CTLD Series - Compression Inlets

Part #	Model	"A" Inlet	"B" Outlet	Capacity @ 100 PSIG	Flow Factor (CV)	Crack Pressure (PSI)	E (Length)	D (Port Height)	C (Hex)	Weight (lbs)
5896	CTLD3838	5/8" Compression	1/2" MNPT	15 SCFM	1.5	0.8	2.37"	1.72"	3/4"	0.16
5904	CTLD3412	3/4" Compression	1/2" MNPT	20 SCFM	2.3	2.4	2.96"	2.15"	1"	0.27
5853	CTLD3812	3/8" Compression	1/2" MNPT	20 SCFM	2.3	2.4	2.83"	2.18"	7/8"	0.27
5898	CTLD1238	1/2" Compression	3/8" NPT	15 SCFM	1.5	0.8	2.45"	1.73"	3/4"	0.15
5847	CTLD1212	1/2" Compression	1/2" MNPT	20 SCFM	2.3	2.4	2.94"	2.23"	7/8"	0.27
5932	CTLD1234	1/2" Compression	3/4" MNPT	30 SCFM	3.9	0.5	3.1"	2.4"	1 1/16"	0.42
5857	CTLD3434	3/4" Compression	3/4" MNPT	30 SCFM	3.9	2.4	3.22"	2.39"	1 1/16"	0.38
5900	CTLD341	3/4" Compression	1" MNPT	60 SCFM	6.3	0.8	3.91"	2.98"	1 5/16"	0.77

Standard Material List

Code	Part Name	Material
1	Body	Brass, ASTM B-16
2	Poppet	Glass Filled PTFE
3	Spring	Stainless Steel
4	Bottom	Plated Steel/Brass
5	Hardware	Plated Steel

Options

Code	Description
SST	Pre-applied Sealant
P1	Additional 1/8" NPT Port
P2	Additional 1/4" NPT Port
NP	Nickel Plating

CLB SERIES

Inline Check Valves



FEATURES

- Designed for use in non-return compressed air and gas applications
- Compact, low profile design
- Maximum operating pressure 500 psi
- Operating temperature range -65° to 450° F
- Can be mounted vertically or horizontally
- 1/8" FNPT Port Standard



Standard Configurations

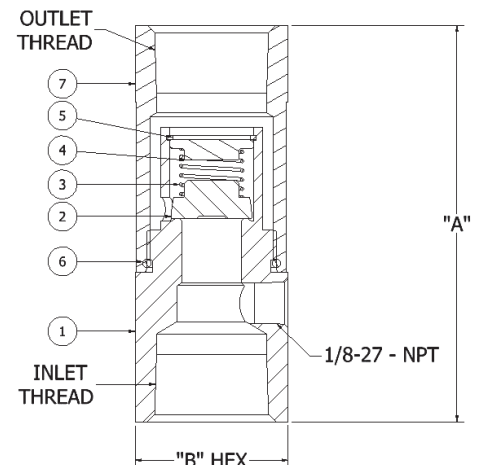
Part #	Model	Inlet & Outlet	Capacity @ 100 PSIG	Flow Factor (CV)	Crack Pressure (PSI)	A (Length)	B (Hex)	Weight (lbs)
2677	CLB14	1/4" FNPT	10 SCFM	1.1	0.5	2.5"	11/16"	0.18
0803	CLB38	3/8" FNPT	12 SCFM	1.5	0.6	2.5"	13/16"	0.24
0254	CLB12	1/2" FNPT	20 SCFM	2.3	2.7	3.06"	1"	0.39
6113	CLB34	3/4" FNPT	30 SCFM	4.2	0.5	3.24"	1 1/4"	0.73
0255	CLB34-HF (High Flow)	3/4" FNPT	60 SCFM	6.3	1	3.64"	1 3/8"	0.94
0239	CLB1	1" FNPT	60 SCFM	6.3	0.8	4.06"	1 1/2"	1.12
2695	CLB112	1 1/2" FNPT	60 SCFM	6.3	1.5	4.45"	2 1/8"	2.25
6458	CLB112-HF (High Flow)	1 1/2" FNPT	95 SCFM	13.7	0.25	4.45"	2 1/8"	2.39

Standard Material List

1	Body	Brass, ASTM B-16
2	Poppet	Glass Filled PTFE
3	Spring	Stainless Steel
4	Shell	Brass, ASTM B-16
5	Hardware	Plated Steel
6	O-ring	Buna
7	Bottom	Plated Steel/Brass

Options

Code	Description
NP	Nickel Plating



CHECK VALVES

GV SERIES

Bronze Inline Check Valves



FEATURES

- Designed for use in non-return compressed air and gas applications
- Cast bronze construction with fully guided piston
- Maximum operating pressure 250 psi
- High flow capacities
- Operating temperature range -65° to 450° F
- Can be mounted vertically or horizontally
- 1/8" FNPT Port Standard
- Field serviceable



Standard Configurations

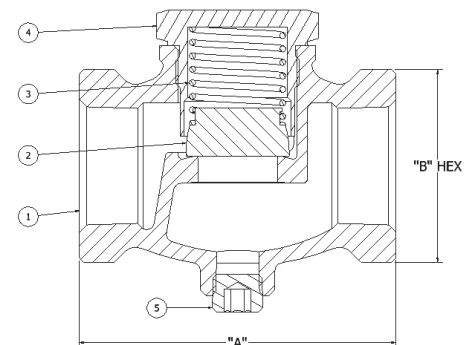
Part #	Model	Inlet & Outlet	Capacity @ 100 PSIG	Flow Factor (CV)	Crack Pressure (PSI)	A (Length)	B (Hex)	Weight (lbs)
4962	GV18	1/8" FNPT	12 SCFM	1.41	0.4	1.76"	13/16"	0.33
4966	GV14	1/4" FNPT	12 SCFM	1.41	0.5	1.76"	13/16"	0.32
4970	GV38	3/8" FNPT	22 SCFM	2.59	0.7	1.85"	15/16"	0.38
4974	GV12	1/2" FNPT	38 SCFM	4.15	1.3	2.28"	1 1/16"	0.65
4978	GV34	3/4" FNPT	60 SCFM	7.33	1.5	2.54"	1 5/16"	0.79
4982	GV1	1" FNPT	115 SCFM	13.31	1	3.2"	1 11/16"	1.31
4986	GV114	1 1/4" FNPT	160 SCFM	23.06	0.3	3.6"	2"	2.12
4990	GV112	1 1/2" FNPT	160 SCFM	23.06	0.5	3.98"	2 1/4"	2.78
4994	GV2	2" FNPT	220 SCFM	57.67	0.3	4"	2 7/8"	4.85

Standard Material List

1	Body	Cast Bronze
2	Poppet	Glass Filled PTFE
3	Spring	Stainless Steel
4	Cap	Brass, ASTM B-16
5	Plug	Plated Steel

Options

Code	Description
NP	Nickel Plating



CLS SERIES

Inline Check Valves



FEATURES

- Designed for use in non-return compressed air and gas applications
- Maximum operating pressure 500 psi
- Operating temperature range -65° to 450° F
- Lightweight, compact design
- Can be installed vertically or horizontally



Standard Configurations

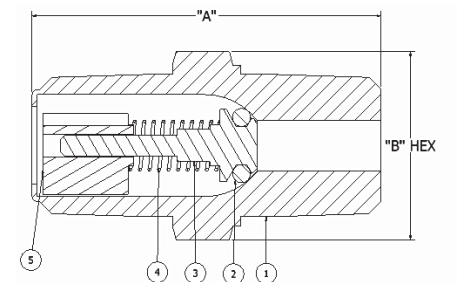
Part #	Model	Inlet	Outlet	Capacity @ 100 PSIG	Crack Pressure (PSI)	A (Length)	B (Hex)	Weight (lbs)
2045	CLC14	1/4" FNPT	1/4" MNPT	2.5 SCFM	0	2.28"	3/4"	0.25
5684	CLS1412	1/4" MNPT	1/2" FNPT	9 SCFM	0.8	1.44"	7/8"	0.16
1891	CLS1414	1/4" MNPT	1/4" MNPT	9 SCFM	0.8	1.34"	5/8"	0.07
5923	CLF1414	1/4" FNPT	1/4" MNPT	9 SCFM	0.8	1.34"	11/16"	0.09
6417	CLS3838	3/8" MNPT	3/8" MNPT	9 SCFM	0.8	1.34"	3/4"	0.12
5324	CLMA14	1/4" MNPT	1/4" FNPT	10 SCFM	2	2.17"	11/16"	0.14

Standard Material List

1	Body	Brass, ASTM B-16
2	O-ring	Buna/Viton
3	Piston	Brass, ASTM-B16/ Stainless Steel
4	Spring	Stainless Steel
5	Seat	Plated Steel/Stainless

Options

Code	Description
SST	Pre-applied Sealant
NP	Nickel Plating



CHECK VALVES

S470 SERIES

Inline Ball Check Valves



FEATURES

- Designed for use in non-return compressed air and gas applications
- Direct replacement for Chudnow check valves
- Maximum operating pressure 500 psi
- Interchangeable components allowing for many different configurations
- Operating temperature range -65° to 450° F
- Can be supplied as a single or double check valve

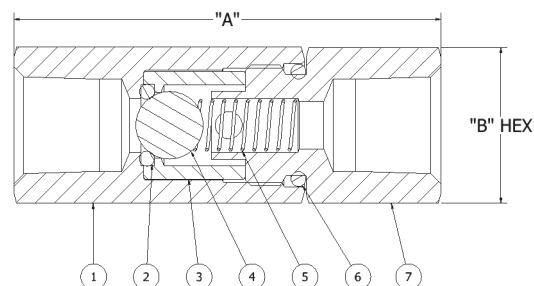
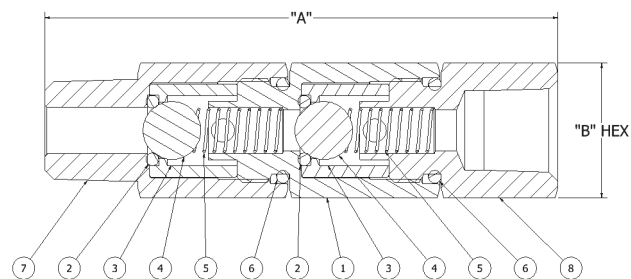


Standard Configurations

Part #	Model	Inlet	Outlet	Type	Crack Pressure (PSI)	A (Length)	B (Hex)	Weight (lbs)
6260	S470D-SS-N-14A-14B	1/4" MNPT	1/4" FNPT	Double Check	1.80	2.19"	5/8"	0.19
6261	S470D-SS-N-38I-38I	3/8" Hose Barb	3/8" Hose Barb	Double Check	1.80	3.83"	5/8"	0.18
6264	S470D-SS-N-38A-38B	3/8" MNPT	3/8" FNPT	Double Check	1.80	2.76"	3/4"	0.23
6292	S470-SS-N-38I-38I	3/8" Hose Barb	3/8" Hose Barb	Single Check	0.90	3.01"	5/8"	0.12
6297	S470D-SS-N-14K-18A	1/4" SAE Flare	1/8" MNPT	Double Check	1.80	2.7"	5/8"	0.17
6298	S470-SS-N-14A-14B	1/4" MNPT	1/4" FNPT	Single Check	0.90	1.98"	5/8"	0.13
6299	S470-SS-N-14B-14B	1/4" FNPT	1/4" FNPT	Single Check	0.90	1.98"	5/8"	0.13

Standard Material List

1	Fitting	Stainless Steel
2	O-ring	Nitrile
3	Seat	Stainless Steel
4	Ball	Stainless Steel
5	Spring	Stainless Steel
6	O-ring	Nitrile
7	Fitting	Plated Steel
8	Fitting	Plated Steel



PILOT VALVES

RC SERIES

Pilot Valves



FEATURES

- Designed for fast-acting control of devices requiring a pneumatic signal
- Precision machined for accurate cut-in and cut-out pressures
- Factory set to customer specifications
- Field adjustable
- Operating temperature range -15° to 400° F



Standard Configurations

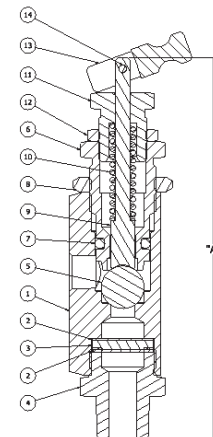
Part #	Model	Inlet	Outlet	Stem	Set Pressure Range	A (Length)	Weight (lbs)
0472	RCB-F1-HU	1/4" FNPT	1/8" FNPT	Hand Unloader	40-250 PSI	3.2"	0.48
2095	RCB-F1-DC	1/4" FNPT	1/8" FNPT	Dual Control	40-250 PSI	4.2"	0.53
0504	RCB-M-HU	1/4" MNPT	1/8" FNPT	Hand Unloader	40-250 PSI	3.92"	0.52
0503	RCB-M-DC	1/4" MNPT	1/8" FNPT	Dual Control	40-250 PSI	4.65"	0.56
2086	RCT-HU	1/4" FNPT	1/8" FNPT	Hand Unloader	40-250 PSI	3.6"	0.60
2088	RCT-DC	1/4" FNPT	1/8" FNPT	Dual Control	40-250 PSI	4.33"	0.64
1539	RCL-S-HU	3/8" FNPT	1/4" FNPT	Hand Unloader	20-1200 PSI	5.28"	1.23
1538	RCL-S-DC	3/8" FNPT	1/4" FNPT	Dual Control	20-1200 PSI	6.05"	1.27

*RCT models come standard with 3/8" -16 UNC mounting boss

Standard Material List

1	Body	Brass
2	Screen	Stainless Steel
3	Filter Disc	Felt
4	Fitting	Brass
5	Ball	Stainless Steel
6	Pilot Seat	Brass
7	O-Ring	Viton

8	Locknut	Brass
9	Stem	Plated Steel
10	Pilot Spring	Stainless Steel
11	Load Screw	Brass
12	Locknut	Brass
13	Lever	Aluminum
14	Rivet	Plated Steel



PILOT UNLOADER VALVES

B & BL SERIES

Pilot Unloader Valve



FEATURES

- Combination pilot valve and discharge unloader
- Muffler design ensures quiet operation
- Mesh screen on inlet
- Operating temperature range -15° to 400° F
- Set pressure range 40 to 250 psi



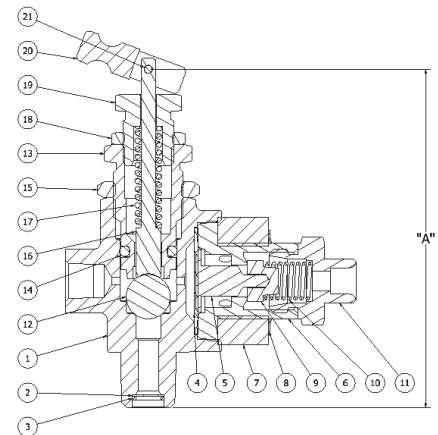
Standard Configurations

Part #	Model	Stem	SCFM	(A) Height	(B) Vent	(C) Discharge Inlet	(D) Pilot Inlet	Weight (lbs)
1662	BG1-M	Hand Unloader	20	3.32"	Direct Unported	1/4" Compression	1/4" MNPT	0.65
1664	BG2-M	Hand Unloader	20	3.32"	Direct Unported	1/4" FNPT	1/4" MNPT	0.68
1666	BG3-M	Hand Unloader	20	3.32"	1/4" FNPT	1/4" Compression	1/4" MNPT	0.72
1667	BG4-M	Hand Unloader	20	3.32"	1/4" FNPT	1/4" FNPT	1/4" MNPT	0.75
1656	BDC1-M	Dual Control	20	4.17"	Direct Unported	1/4" Compression	1/4" MNPT	0.70
1658	BDC2-M	Dual Control	20	4.17"	Direct Unported	1/4" FNPT	1/4" MNPT	0.73
2542	BLG	Hand Unloader	60	3.61"	1/2" FNPT	1/2" FNPT	1/4" FNPT	1.52
2541	BLDC	Dual Control	60	4.45"	1/2" FNPT	1/2" FNPT	1/4" FNPT	1.57

Standard Material List

1	Pilot Body	Brass
2	Screen	Stainless Steel
3	Retaining Ring	Brass
4	Diaphragm	Viton/Nomex
5	Unloader Stem	Brass
6	Unloader Body	Brass
7	Muffler	Felt
8	Retaining Ring	Steel
9	Unloader Poppet	Filled PTFE
10	Spring	Stainless Steel
11	Fitting	Brass

12	Ball	Stainless Steel
13	Pilot Seat	Brass
14	O-ring	Viton
15	Locknut	Brass
16	Stem	Plated Steel
17	Pilot Spring	Stainless Steel
18	Locknut	Brass
19	Load Screw	Brass
20	Lever	Aluminum
21	Rivet	Plated Steel



PILOT UNLOADER CHECK VALVES

N, NS, NR, NL SERIES

Pilot Unloader Check Valves



FEATURES

- Combination pilot valve, check valve, and discharge unloader
- Designed for constant-run reciprocating compressors
- 1/8" FNPT throttle control part
- Over 300 available inlet & outlet connections
- Operating temperature range -15° to 400° F
- Set pressure range 40 to 250 psi



Standard Configurations

Model	Stem	SCFM	(A) Height	Inlet Orientation	Inlet Sizes	Outlet Sizes	Weight (lbs)
NRP	Hand Unloader	14	3.09"	Top	3/8"- 1/2"	3/8"-1/2"	0.66
NSG	Hand Unloader	25	4.47"	Top	3/8"- 3/4"	3/8"-1/2"	1.26
NSDC	Dual Control	25	5.32"	Top	1/4"-3/4"	3/8"-1/2"	1.35
NG	Hand Unloader	40	4.42"	Top or Side	1/4"-3/4"	1/4"-3/4"	1.47
NDC	Dual Control	40	5.27"	Top or Side	1/4"-3/4"	1/4"-3/4"	1.51
NLG	Hand Unloader	60	5.69"	Top	3/4"-1 1/4"	3/4"-1 1/4"	3.20
NLDC	Dual Control	60	6.53"	Top	3/4"-1 1/4"	3/4"-1 1/4"	3.24

Inlet Connection Types	Models
FNPT	NR, NS, NG, NL
MNPT	NG
Compression	NS, NG, NL
SAE 45 Flare	NR, NS, NG
5/8 Inverted Flare	NG
JIC Flare	NG
BSPT	NS, NG, NL
BSPP	NS, NG, NL

Outlet Connection Types	Models
FNPT	NS, NG, NL
MNPT	NR, NS, NG, NL
Compression	NG
BSPT	NS, NG, NL
BSPP	NS, NG, NL

Options

Code	Description
SST	Pre-applied Sealant
P1	Additional 1/8" Port
P2	Additional 1/4" Port
NP	Nickel Plating

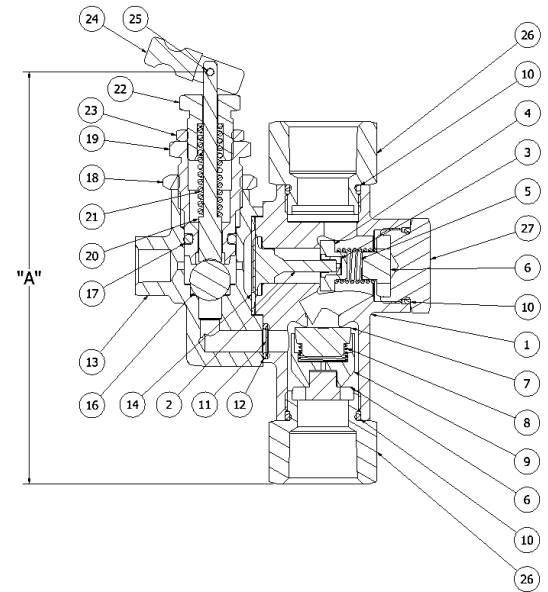
*Not all connection types available for all sizes. Please contact factory for complete listing.

PILOT UNLOADER CHECK VALVES

Standard Material List N

1	Unloader/CV Body	Brass
2	Unloader Stem	Brass
3	Bushing	Brass
4	Unloader Poppet	Filled PTFE
5	Spring	Stainless Steel
6	Spider Seat	Steel
7	CV Poppet	Filled PTFE
8	Spring	Stainless Steel
9	CV Seat	Brass
10	O-ring	Silicone
11	Screen	Stainless Steel
12	O-ring	Silicone
13	Pilot Body	Brass
14	Diaphragm	Viton/Nomex

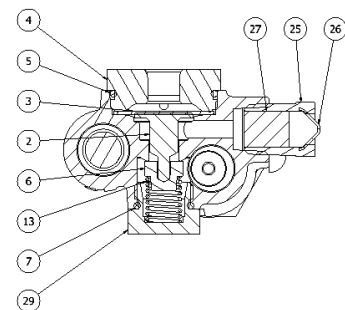
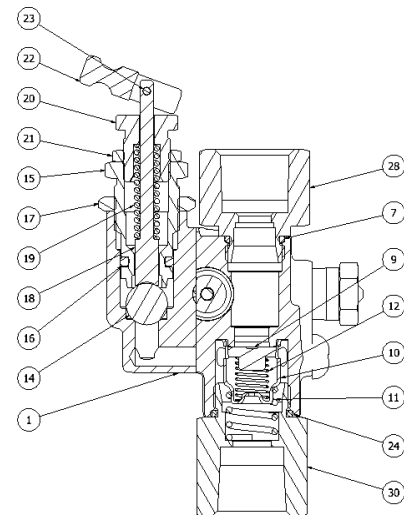
15	Screw	Plated Steel
16	Ball	Stainless Steel
17	O-ring	Viton
18	Locknut	Brass
19	Pilot Seat	Brass
20	Stem	Plated Steel
21	Pilot Spring	Stainless Steel
22	Load Screw	Brass
23	Locknut	Brass
24	Lever	Aluminum
25	Rivet	Plated Steel
26	Fitting	Brass
27	Cap	Brass



Standard Material List NS

1	Body	Brass
2	Unloader Stem	Plated Iron
3	Diaphragm	Viton/Nomex
4	Fitting	Brass
5	O-ring	Silicone
6	Unloader Poppet	Filled PTFE
7	O-ring	Silicone
8	Screw	Plated Steel
9	CV Poppet	Filled PTFE
10	Bottom	Plated Steel
11	Spring	Stainless Steel
12	Spring	Stainless Steel
13	Spring	Stainless Steel
14	Ball	Stainless Steel
15	Pilot Seat	Brass

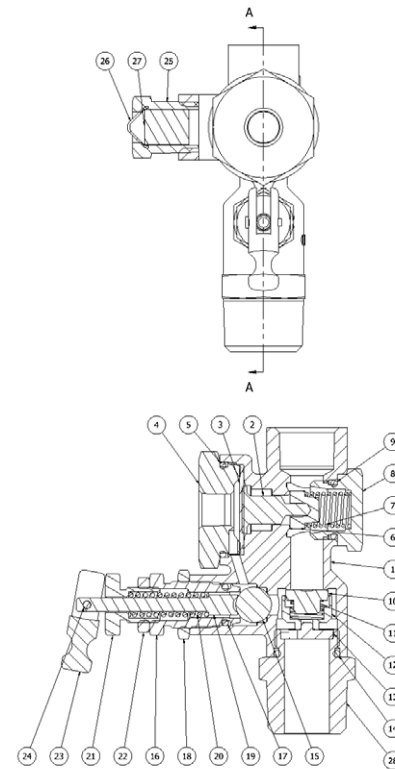
16	O-Ring	Viton
17	Locknut	Brass
18	Stem	Plated Steel
19	Pilot Spring	Stainless Steel
20	Load Screw	Brass
21	Locknut	Brass
22	Lever	Aluminium
23	Rivet	Plated Steel
24	O-Ring	Silicone
25	Bushing	Brass
26	Screen	Stainless Steel
27	Muffler Screen	Brass
28	Fitting	Brass
29	Fitting	Brass
30	Fitting	Brass



Standard Material List NRP

1	Body	Brass
2	Unloader Stem	Brass
3	Diaphragm	Viton/Nomex
4	Fitting	Brass
5	O-ring	Silicone
6	Unloader Poppet	Filled PTFE
7	Spring	Stainless Steel
8	Fitting	Brass
9	O-ring	Silicone
10	CV Poppet	Filled PTFE
11	Spring	Stainless Steel
12	CV Seat	Brass
13	Spider Seat	Steel
14	O-ring	Viton

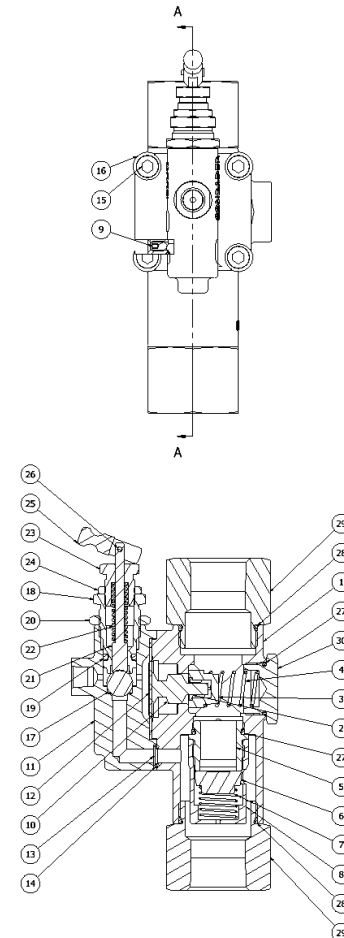
15	Ball	Stainless Steel
16	Pilot Seat	Brass
17	O-ring	Viton
18	Locknut	Brass
19	Stem	Plated Steel
20	Pilot Spring	Stainless Steel
21	Load Screw	Brass
22	Locknut	Brass
23	Lever	Aluminum
24	Rivet	Plated Steel
25	Bushing	Brass
26	Screen	Stainless Steel
27	Muffler Screen	Brass
28	Fitting	Brass



Standard Material List NLG

1	Unloader/Cv Body	Brass
2	Bushing	Brass
3	Unloader Poppet	Filled PTFE
4	Spring	Stainless Steel
5	Cv Seat	Brass
6	Cv Poppet	Filled PTFE
7	Spring	Stainless Steel
8	Bottom	Brass
9	Set Screw	Steel
10	Unloader Stem	Brass
11	Pilot Body	Brass
12	Diaphragm	Viton/Nomex
13	Screen	Stainless Steel
14	O-Ring	Silicone
15	Screw	Plated Steel
16	Lock Washer	Plated Steel

17	Ball	Stainless Steel
18	Pilot Seat	Brass
19	O-Ring	Viton
20	Locknut	Brass
21	Stem	Plated Steel
22	Pilot Spring	Stainless Steel
23	Load Screw	Brass
24	Locknut	Brass
25	Lever	Aluminium
26	Rivet	Plated Steel
27	O-Ring	Silicone
28	O-Ring	Silicone
29	Fitting	Brass
30	Cap	Brass



THROTTLE CONTROLS

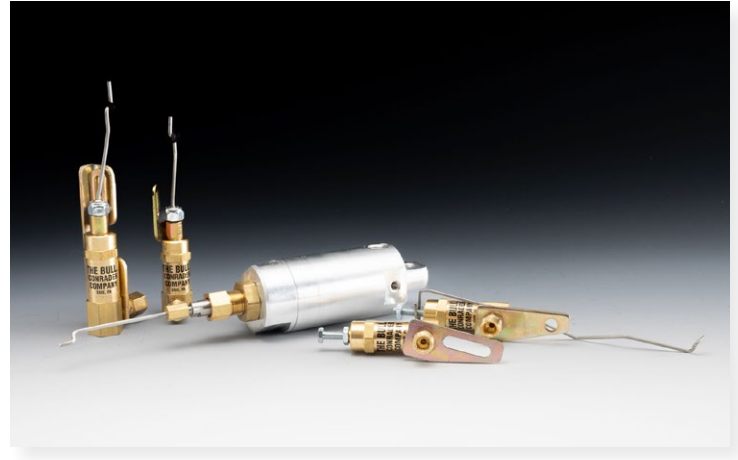
TC SERIES

Airline Style Throttle Controls



FEATURES

- Designed for precise engine speed control
- Directly mounts to engine
- Tailored to OEM specifications
- Operating pressures 100 to 500 psi
- Max operating temperature 400° F
- 1/4" compression inlet standard



Standard Configurations

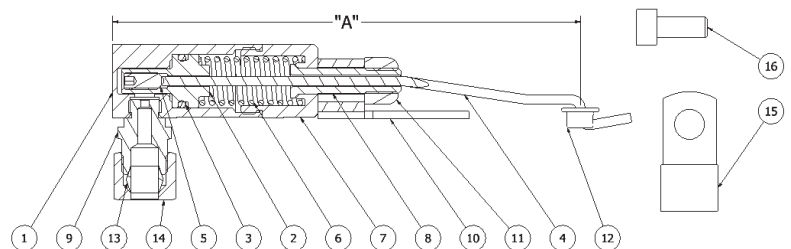
Part #	Model	Stroke	Springforce (lbs)	Horsepower	Recommended Engine	Mounting	A (Length)	Weight (lbs)
7791	TCSA-GX120	0.394"	10	3.5	Honda GX120/160	Governor Arm	6.72"	0.18
3709	TCSA-H-40-SC	0.394"	10	3.5-4	Honda GX120	Throttle Arm	4.76"	0.24
6447	TCSA-H-5565-SB-NF	0.394"	10	5.5-6.5	Honda GX160-200/Kohler SH265	Throttle Arm	4.38"	0.28
7792	TCSA-GX200	0.394"	10	5.5	Honda GX200	Governor Arm	7.18"	0.24
6449	TCMA-H-8090-LB-NF	0.625"	9	8-9	Honda GX240-270	Throttle Arm	4.78"	0.45
7793	TCSA-GX270/Rato300	0.394"	10	8.5	Honda GX270/Rato 300	Governor Arm	2.33"	0.25
6448	TCMA-H-1113-LB-NF	0.625"	9	11-13	Honda GX390	Throttle Arm	5.21"	0.45
7813	TCSA-GX390/Rato420	0.394"	10	11.7	Honda GX390/Rato420	Governor Arm	2.35"	0.25
7473	TCLPW-CH440	0.625"	23	18	Kohler CH440/KD440/CH395	Throttle Arm	5.61"	0.79
6457	TCSA-R-14-SB	0.394"	10	7-14	Subaru/Robin	Throttle Arm	6.19"	0.27
6503	TCMA-K-8011-HC-SC-NF	0.625"	9	8-11	Kubota	Throttle Arm	6.20"	0.34

*Engine recommendations are only for guidance purposes and subject to change without notice. Selecting the correct throttle control is at the sole discretion of the end-user.

Standard Material List

1	Body	Brass
2	Piston	Brass
3	O-ring	Viton
4	Wire	Stainless Steel
5	Set Screw	Steel
6	Spring	Stainless Steel
7	Cap	Brass
8	Threaded Tube	Plated Steel
9	Fitting	Brass
10	Small Bracket	Plated Steel
11	Locknut	Plated Steel
12	Bushing	Nylon 6/6

13	1/4" Tube Ferrule	Brass
14	1/4" Tube Nut	Brass
15	Clamp	Plated Steel/Vinyl
16	Screw	Plated Steel



TCP SERIES

"The Bullwhip" Cable Style Throttle Controls



FEATURES

- Designed for precise engine control
- Directly mounts to pilot device
- Compatible with most engines
- Cable lengths up to 72"
- Self-cleaning wire and cable
- Operating pressures 100 to 500 psi
- Max operating temperature 400 ° F
- 1/4" compression inlet standard



Standard Configurations

Part #	Model	Stroke	Springforce (lbs)	Horsepower	Available Cable Lengths
1193-36	Ex: TCP-36	0.6"	7	Less than 8 hp	10"-72"
1194-	TCL-" "	0.6"	7	Less than 8 hp	10"-72"
2896-	TCLP-" "	1"	16	Greater than 8 hp	10"-72"
2895-	TCLI-" "	1"	16	Greater than 8 hp	10"-72"
6599-	TCLPW-" "	1"	16	Greater than 8 hp	10"-60"
6655-	TCLIW-" "	1"	16	Greater than 8 hp	10"-60"
6714-	TCXLPW-" "	1"	30	Greater than 13 hp	10"-60"
7584-	TCXLIW-" "	1"	30	Greater than 13 hp	10"-60"

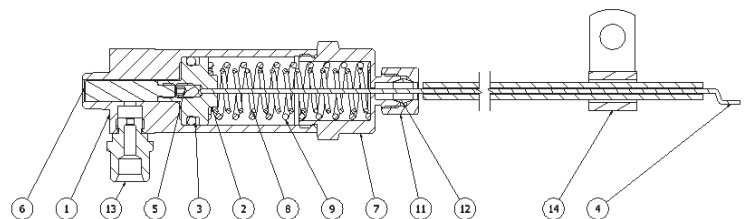
*All cable style throttle controls must be ordered with a specific length. For example, a 36" long TCP valve would be specified as "1193-36"

Standard Material List

1	Body	Brass
2	Piston	Brass
3	O-ring	Viton
4	Cable	Stainless Steel
5	Set Screw	Steel
6	Stem	Brass
7	Cap	Brass
8	Spring	Stainless Steel
9	Spring	Stainless Steel
10	Casing	Nylon 6/6
11	1/4" Tube Ferrule	Brass
12	1/4" Tube Nut	Brass
13	Fitting	Brass
14	Clamp	Plated Steel/Vinyl

Options

Code	Description
I	Compatible with Intake unloaders
W	Heavy Duty Cable
X	Heavy Duty Wire
SST	Pre-Applied Sealant



DISCHARGE VALVES

D SERIES

Discharge and Blowdown Valves



FEATURES

- Normally closed valve, piloted to open
- Commonly used to vent or recirculate air/gas
- Operating temperature range -15° to 400° F
- Operating pressure 20 to 250 psi



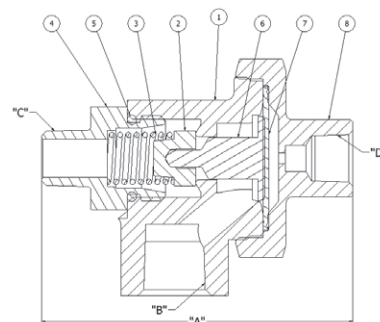
Standard Configurations

Part #	Model	Capacity	(A) Height	(B) Vent	(C) Discharge Inlet	(D) Pilot Inlet	Weight (lbs)
1525	D	1.13 CV	2.27"	1/4" FNPT	1/8" MNPT	1/8" FNPT	0.34
1526	D1	1.13 CV	2.22"	Direct	1/4" Compression	1/8" FNPT	0.27
1527	D2	1.13 CV	2.46"	Direct	1/4" FNPT	1/8" FNPT	0.3
1529	D3	1.13 CV	2.22"	1/4" FNPT	1/4" Compression	1/8" FNPT	0.34
1530	D4	1.13 CV	2.46"	1/4" FNPT	1/4" FNPT	1/8" FNPT	0.37
1645	D6-M	1.13 CV	2.26"	Direct	1/8" MNPT	1/8" FNPT	0.27
7630	D7-M	1.13 CV	2.45"	Direct	1/4" FNPT	1/8" FNPT	0.29
2568	DL	4.5 CV	3.45"	1/2" FNPT	1/2" FNPT	1/8" FNPT	1.21
7678	DBD1-PS-1414-P2	1.5 CV	2.88"	1/4" FNPT	1/4" FNPT	1/4" FNPT	0.42
7679	DBD2-PS-1212-P2	4.0 CV	3.38"	1/2" FNPT	1/2" FNPT	1/2" FNPT	0.68

Standard Material List D Valve

1	Unloader Body	Brass
2	Unloader Poppet	Filled PTFE
3	Spring	Stainless Steel
4	Fitting	Brass

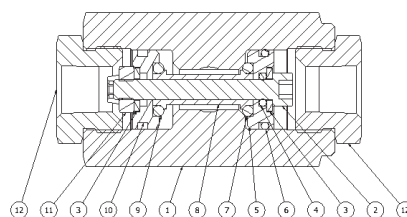
5	O-ring	Silicone
6	Unloader Stem	Brass
7	Diaphragm	Viton/Nomex
8	Fitting	Brass



Standard Material List DBD

1	Body	Aluminium
2	Screw	Stainless Steel
3	Washer	Viton
4	O-Ring	Aluminium
5	Piston	Viton
6	O-Ring	Ptfe

7	O-Ring	Brass
8	Stem	Viton
8	O-Ring	Aluminium
10	Piston	Plated Steel
11	Locknut	Brass
12	Fitting	Stainless Steel



ROTARY SCREW CONTROLS

ICV SERIES

Intake Valves



FEATURES

- Normally open design controls air-flow at inlet of air end
- Can be modulated fully open, partially closed or fully closed as air demand changes
- Valve can be integrated with blowdown, pilot, solenoid, and other control valves
- Connections and side ports configured per customer specification
- Operating temperature range -35° to 250° F
- Max operating pressure of 250 psi



Standard Configurations

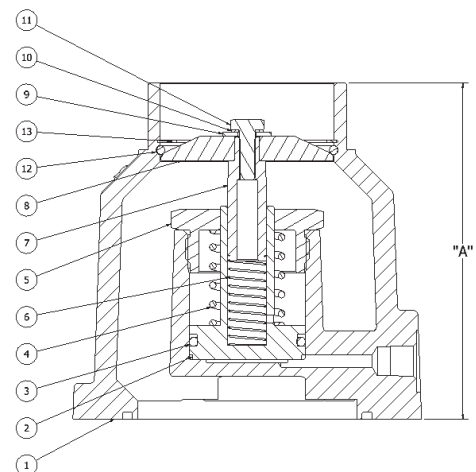
Part #	Model	Inlet to Outlet Configuration	SCFM	(A) Height	Inlet Internal Diameter	Outlet Base	Modulating Pressure (PSI)	Weight (lbs)
6114	ICV175	Straight Through	90	4"	1.75"	4"	5-45	2.00
7649	ICV212	Straight Through	200	5.07"	2.5"	5.25"	5-45	3.92
6116	ICV300	Straight Through	300	6.10"	2.5"	5.66"	5-45	4.70
7965	ICV400	Straight Through	500	9.88"	4.25"	7.75"	5-45	10.60
6115	ICV175-90	90 Degrees	90	3.25"	1.75"	4"	5-45	2.00
7645	ICV212-90	90 Degrees	200	4.37"	2.5"	5.3"	5-45	3.45

Standard Material List

1	Body	Aluminum
2	Piston	Aluminum
3	O-ring	Viton
4	Spring	Stainless Steel
5	Cap	Aluminum
6	Spring	Stainless Steel
7	CV Stem	Brass
8	CV Piston	Aluminum
9	Washer	Plated Steel
10	Lock Washer	Plated Steel
11	Screw	Plated Steel
12	O-ring	Filled PTFE
13	Retaining Ring	Plated Steel

Options

Anodized Housing
Additional Ports
Solenoid Control
Integrated blowdown and pilot



ROTARY SCREW CONTROLS

CMP SERIES

Minimum Pressure Check Valves



FEATURES

- Designed for use on rotary screw air compressors
- Maximum operating pressure 600 psi
- Low pressure drop with high flow design
- Operating temperature range -35° to 400° F
- Can be ordered as a standard check valve
- Inlet and outlet side ports for pressure taps
- CRN Certified



Standard Configurations

Part #	Model	Inlet & Outlet	Rated Capacity	Calculated Pressure Drop (PSI)	Cracking Pressure Range (PSI)	(A) Height	Weight (lbs)
7002	CMP034A-E-BA-T-V	3/4" FNPT	100 SCFM	1.5	40-100	4.03"	1.66
6982	CMP114A-E-BA-T-V	1 1/4" FNPT	200 SCFM	1	50-80	5.13"	3.11
6985	CMP114D-E-BA-T-V	1.25" SAE Female ORB	200 SCFM	1	50-80	5.13"	3.11
7019	CMP112A-E-BA-T-V	1 1/2" FNPT	350 SCFM	1.1	50-80	6.53"	5
7022	CMP112D-E-BA-T-V	1.5" SAE Female ORB	350 SCFM	1.1	50-80	6.53"	5
7038	CMP200A-E-BA-H-V	2" FNPT	500 SCFM	0.6	50-150	7.51"	8.32
7041	CMP200D-E-BA-H-V	2" SAE Female ORB	500 SCFM	0.6	50-150	7.51"	8.32
7838	CMP300A-E-BA-H-V	3" FNPT	1200 SCFM	0.7	50-80	10.57"	23.02

Standard Material List

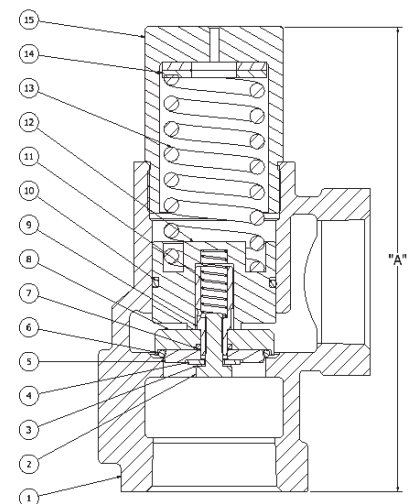
1	Body	Ductile Iron Black E-Coat
2	Screw	Plated Steel
3	Lock Washer	Plated Steel
4	Washer	Plated Steel
5	O-ring Retainer	Aluminum
6	O-ring	PTFE
7	O-ring	Viton
8	CV Piston	Aluminum
9	CV Stem	Brass
10	O-ring	Viton
11	Spring	Stainless Steel
12	Piston	Aluminum
13	Spring	Stainless Steel

14	Washer	Plated Steel
15	Cap	Aluminum

Options

Code	Description
NP	Nickel Plating
CS	Stainless Steel
CE	CE Certified
BSPT	BSPT Threads
NS	Standard Check Valve Version
Flange	SAE Flange Connections*

*Consult Factory



SCRV SERIES

Control Regulators



FEATURES

- Used to modulate various devices such as intake valve or throttle control valve
- Operating pressure range 50 to 250 psi
- Can be supplied with or without a preset gain ratio
- Operating temperature range -15° to 300° F
- Adjustable crack pressure



Standard Configurations

Part #	Model	Style	Inlet	Outlet	Available Gain Ratios	(A) Height	(B) Hex	Weight (lbs)
7842	SCVR	Positive Control	1/4" FNPT	1/4" FNPT	1:1, 1.25:1, 2:1, 3:1, 3.8:1, 5:1, 6:1	3.67"	1 1/2"	0.44
7841	SBPR	Positive Control -no orifice	1/4" FNPT	1/4" FNPT	NA	3.67"	1 1/2"	0.44
3968	RCB-IR-2-F1-2	Subtractive Control	1/4" FNPT	1/8" FNPT	NA	3.04"	15/16"	0.46

Standard Material List SCRV

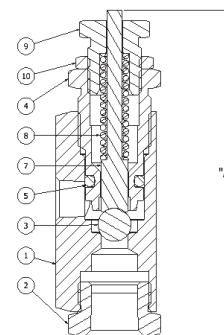
1	Body	Aluminum
2	Seat	Stainless Steel
3	O-ring	Viton
4	Ball Seat	Brass
5	Ball	Stainless Steel
6	Diaphragm	Viton/Nomex
7	Spring Seat	Brass
8	Spring	Stainless Steel
9	Spring Seat	Brass
10	Ball	Stainless Steel
11	Cap	Aluminum
12	Set Screw	Plated Steel
13	Locknut	Plated Steel

Standard Material List RCB-IR

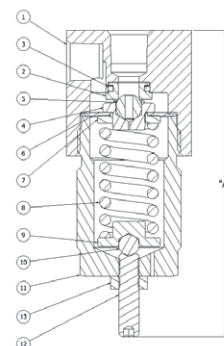
1	Body	Brass
2	Cap (-P2)	Brass
3	Ball	Stainless Steel
4	Pilot Seat	Brass
5	O-ring	Viton
6	Screw	Plated Steel
7	Stem	Brass
8	Pilot Spring	Stainless Steel
9	Load Screw	Brass
10	Locknut	Brass

Options

BSPT Threads
Adjustment Knob
Panel Mount



RCB-IR



SCRV

FLOW REGULATORS

FR SERIES

Flow Regulators



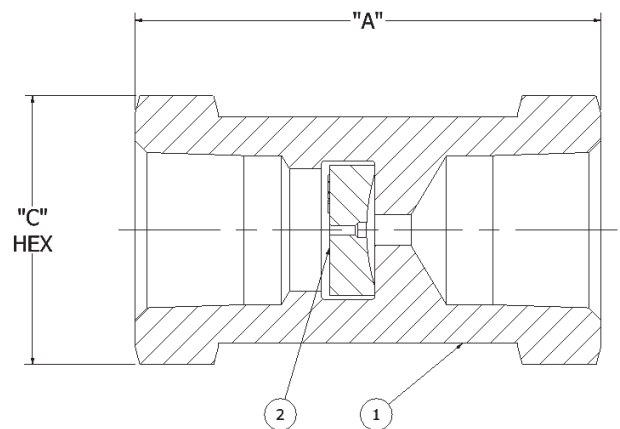
FEATURES

- Maintains a constant volume of water flow across a wide pressure range
- Utilizes a flexible orifice which varies its effective area inversely to input pressure
- Flow rates maintained to within 15% up to a pressure change of 125 psi
- Sizes available from 3/8" to 1"
- Compliant with U.S. Senate Bill AB1953 Low-lead Requirements for plumbing fittings
- Maximum operating pressure of 200 psi



Standard Material List

1	Fitting	Brass
2	Disc	Nitrile/EPDM



Standard Configurations

Model	FR38MF-NP	FR34MF	FR34MF-NP	FR38FF-NP	FR12FF-NP	FR34FF-NP	FR1FF-LF-NP	FR1FF-HF-NP	FRS38FF-SS	FR12FF-SS	FR34FF-SS	FR1FF-LF-SS	FR1FF-HF-SS
Part Number	7711	6987	7053	7712	7718	7728	7738	7739	7256	7004	7007	7050	7051
Pipe Size	3/8"	3/4"	3/4"	3/8"	1/2"	3/4"	1"	1"	3/8"	1/2"	3/4"	1"	1"
Inlet X Outlet	MNPT x FNPT	MNPT x FNPT	MNPT x FNPT	FNPT x FNPT	FNPT x FNPT	FNPT x FNPT	FNPT x FNPT	FNPT x FNPT	FNPT x FNPT	FNPT x FNPT	FNPT x FNPT	FNPT x FNPT	FNPT x FNPT
Housing Material	Nickel Plated Brass	Brass	Nickel Plated Brass	Nickel Plated Brass	Nickel Plated Brass	Nickel Plated Brass	Nickel Plated Brass	Nickel Plated Brass	Stainless Steel	Stainless Steel	Stainless Steel	Stainless Steel	Stainless Steel
A (Length)	1.6"	1.55"	1.55"	1.75"	1.95"	2.29"	2.75"	2.75"	1.75"	1.95"	2.29"	2.75"	2.75"
C (Hex)	7/8"	1 1/4"	1 1/4"	7/8"	1"	1 1/4"	1 1/2"	1 1/2"	7/8"	1"	1 1/4"	1 1/2"	1 1/2"
Weight (lbs)	0.15	0.31	0.31	0.21	0.26	0.51	0.83	0.78	0.19	0.23	0.46	0.74	0.7
Flow Rate (GPM)	0.13	1	1	0.13	1	1	1	10	0.13	1	1	1	10
	0.19	1.5	1.5	0.19	1.5	1.5	1.5	12	0.19	1.5	1.5	1.5	12
	0.25	2	2	0.25	2	2	2	13.5	0.25	2	2	2	13.5
	0.35	2.5	2.5	0.35	2.5	2.5	2.5	15	0.35	2.5	2.5	2.5	15
	0.5	3	3	0.5	3	3	3	20	0.5	3	3	3	20
	0.75	3.5	3.5	0.75	3.5	3.5	3.5	25	0.75	3.5	3.5	3.5	25
	1	4	4	1	4	4	4	30	1	4	4	4	30
	1.5	4.5	4.5	1.5	4.5	4.5	4.5		1.5	4.5	4.5	4.5	
		5	5		5	5	5			5	5	5	
		6	6		6	6	6			6	6	6	
		7	7			7	7				7	7	
		8	8			8	8				8	8	
		9	9			9	9				9	9	
		11.5	11.5			11.5					11.5		
Threshold Pressure	15-25 PSI	25-30 PSI	25-30 PSI	15-25 PSI	15-25 PSI	15-25 PSI	15-25 PSI	15-25 PSI	15-25 PSI	15-25 PSI	15-25 PSI	15-25 PSI	15-25 PSI

When ordering please add the desired GPM value to the base part number. For example, the full part number for a model FR38MF-NP at .25 GPM would be 7711-.25

MICRO VALVES

MV SERIES

Micro Valves



FEATURES

- 3-way, 2-position valve for high cycle, zero leak control applications
- Unique, snap-action design provides quick and repeatable flow redirection
- Trip-point position repeats accurately and is essentially independent of the speed of the external actuating device
- Max operating pressure 250 PSI
- Operating temperature range 20° to 250° F



Standard Configurations

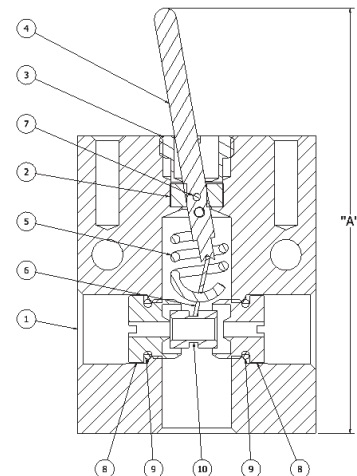
Part #	Model	Port Connections	Orifice	Body Material	Type	Operator	(A) Height	Weight (lbs)
2266	MV316S-063-N (316F1B)	1/4" FNPT	1/16"	Aluminum	Standard	Straight Handle	2.49"	0.14
2269	MV316V-063-V (316F1-1)	1/4" FNPT	1/16"	Aluminum	Vacuum	Straight Handle	2.49"	0.14
2274	MV316S-063-N-SR (316F2B)	1/4" FNPT	1/16"	Aluminum	Standard	Spring Return Lever	2.49"	0.14
2275	MV316V-SS-063-V (316F1-1)	1/4" FNPT	1/16"	Stainless	Vacuum	Straight Handle	2.49"	0.37
2276	MV316S-063-N-ES2 (316F1B-221A)	1/4" FNPT	1/16"	Aluminum	Standard	Short Extension Spring	2.71"	0.15
2277	MV316V-063-N (316F1-B1)	1/4" FNPT	1/16"	Aluminum	Vacuum	Straight Handle	2.49"	0.14
2259	MV38S-125-N-ES1 (38F1-221)	3/8" FNPT	1/8"	Aluminum	Standard	Long Extension Spring	4.75"	0.35
2261	MV38V-125-N-SL (38F1-B1)	3/8" FNPT	1/8"	Aluminum	Vacuum	Short Lever	3.49"	0.33
2262	MV38S-125-N (38F1)	3/8" FNPT	1/8"	Aluminum	Standard	Straight Handle	3.57"	0.33
2264	MV38V-125-N (38F1-B1)	3/8" FNPT	1/8"	Aluminum	Vacuum	Straight Handle	3.57"	0.33

Standard Material List

Code	Part	Material
1	Body	Aluminum/Stainless
2	Seal	Nitrile/Viton
3	Seat	Stainless Steel
4	Lever	Stainless Steel
5	Spring	Stainless Steel
6	Yoke	Stainless Steel
7	Pin	Steel
8	Seat	Stainless Steel
9	O-ring	Nitrile
10	Shuttle	Stainless Steel/Nitrile

Options

Code	Description
ES1	Long Extension Spring
ES2	Short Extension Spring
SR	Spring Return Lever
RL	Roller Lever
BL	Ball Lever
SL	Short Lever
LL	Long Lever
V	Viton Seals
SS	Stainless Steel Body



Flow Capacity: Gas Operating Range

Pressure Differential (PSI)	316 Series			38 Series		
	Flow Capacity (SCFH)					
	1/16" Orifice	1/32" Orifice	3/32" Orifice	1/8" Orifice	1/16" Orifice	3/16" Orifice
1	23.6	6.3	59.4	98.4	23.6	222.5
2	33.1	8.9	79.6	138.3	33.1	296
3	40.6	11	98.1	168.4	40.6	362.1
4	46.7	12.6	112.1	194.6	46.7	415.5
5	52	14	125	217	52	464.3
6	57.1	15.4	137.3	237.2	57.1	509.1
7	61.3	16.5	147.4	255.8	61.3	547.6
8	65.2	17.6	156.6	272.7	65.2	580.1
9	69.1	18.7	165.9	289.7	69.1	613
10	75	20	183	304	75	686.3
20	110	29	250	439	110	948.3
30	143	37	330	622	143	1275.4
40	170	45	390	789	170	1473.3
50	197	53	475	915	197	1765.6
60	235	61	530	1042	235	2041.8
70	270	69		1182	270	2347.8
80	305	77		1345	305	2535.1
90	337.2	85		1487	337.2	
100	369.4	93		1629.1	369.4	
110		101			401.6	
120		110			433.8	
130		119			466	
140		128			498.2	
150		136			530.4	
160		144			562.7	
170		153			594.9	
180		161			627.1	
190		170			659.3	
200		178			691.5	
210		186			723.7	
220		194			755.9	
230		202			788.1	
240		210			820.3	
250		218			852.5	

Flow Capacity: Liquid Operating Range

Pressure Differential (PSI)	316 Series			38 Series		
	Flow Capacity (GPM)					
	1/16" Orifice	1/32" Orifice	3/32" Orifice	1/8" Orifice	1/16" Orifice	3/16" Orifice
1	0.09	0.02	0.2	0.37	0.09	0.73
2	0.12	0.03	0.28	0.52	0.12	1.03
3	0.15	0.04	0.35	0.64	0.15	1.26
4	0.18	0.05	0.4	0.74	0.18	1.46
5	0.2	0.05	0.45	0.83	0.2	1.63
6	0.22	0.06	0.49	0.91	0.22	1.79
7	0.23	0.06	0.53	0.98	0.23	1.93
8	0.25	0.07	0.57	1.05	0.25	2.06
9	0.26	0.07	0.6	1.11	0.26	2.19
10	0.28	0.08	0.63	1.17	0.28	2.31
20	0.39	0.11	0.89	1.65	0.39	3.26
30	0.48	0.13	1.1	2.03	0.48	4
40	0.56	0.15	1.26	2.34	0.56	4.62
50	0.62	0.17	1.41	2.62	0.62	5.16
60	0.68	0.19	1.55	2.87	0.68	5.65
70	0.74	0.2		3.1	0.74	6.11
80	0.79	0.21		3.31	0.79	6.53
90	0.83	0.23		3.51	0.88	
100	0.88	0.24		3.7	0.88	
110		0.25			0.92	
120		0.26			0.96	
130		0.27			1	
140		0.28			1.04	
150		0.29			1.08	
160		0.3			1.11	
170		0.31			1.15	
180		0.32			1.18	
190		0.33			1.21	
200		0.34			1.24	
210		0.35			1.28	
220		0.36			1.31	
230		0.36			1.33	
240		0.37			1.36	
250		0.38			1.39	

ADDITIONAL PRODUCTS

W SERIES

Drain Valves



FEATURES

- Pilot operated or manually controlled
- Viton seals with brass construction
- Easily customized to customer specifications
- Operating temperature range -15° to 250° F
- Operating pressure range 30 to 500 psi

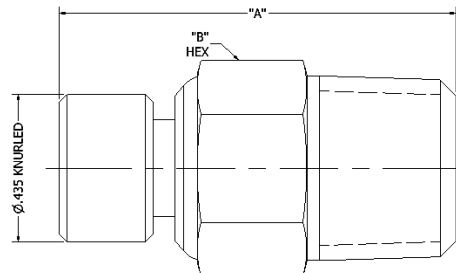


Standard Configurations

Part #	Model	Style	Inlet	Outlet	Signal Port	A (Length)	B (Hex)	Weight (lbs)
1087	WV-1	Automatic-Pilot Operated	1/4" MNPT	1/4" FNPT	1/8" FNPT	2.68"	1 1/4"	.48
0812	WVS-1	Manual w/ Handle	1/4" FNPT	1/4" FNPT	NA	2.09"	NA	.19
4793	Drain Valve	Manual w/ Thumbscrew	1/4" MNPT	NA	NA	1.25"	14 mm	.06
0448	Drain Valve	Manual w/ Handle	1/4" MNPT	NA	NA	1.03"	9/16"	.05
5449-0	CDV25-0	Cable Operated -no cable	1/4" MNPT	NA	NA	1"	9/16"	.05
5449-12	CDV25-12	Cable Operated -12" Cable	1/4" MNPT	NA	NA	1"	9/16"	.05
5449-14	CDV25-14	Cable Operated -14" Cable	1/4" MNPT	NA	NA	1"	9/16"	.05
5449-24	CDV25-24	Cable Operated -24" Cable	1/4" MNPT	NA	NA	1"	9/16"	.05
5449-36	CDV25-36	Cable Operated -36" Cable	1/4" MNPT	NA	NA	1"	9/16"	.05
5449-60	CDV25-60	Cable Operated -60" Cable	1/4" MNPT	NA	NA	1"	9/16"	.05

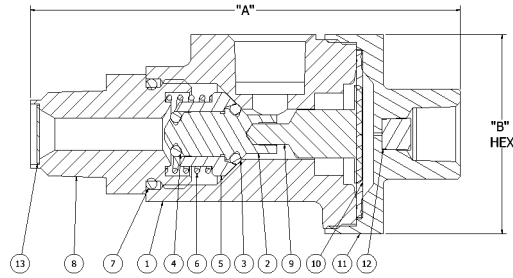
Options

Code	Description
NP	Nickel Plating
BSPT	BSPT Threads
SST	Pre-applied Sealant



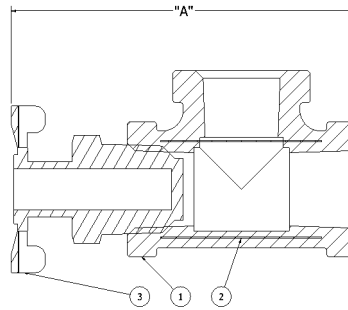
Standard Material List WV-1

1	Body	Brass
2	Stem	Brass
3	O-ring	Viton
4	O-ring	Viton
5	Cup	Brass
6	Spring	Stainless Steel
7	O-ring	Viton
8	Fitting	Brass
9	Unloader Stem	Brass
10	Diaphragm	Viton/Nomex
11	Fitting	Brass
12	Filter	Bronze
13	Screen	Stainless Steel



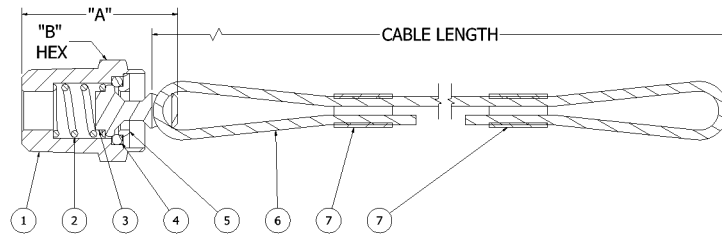
Standard Material List WVS-1

1	Fitting	Bronze
2	Filter	Stainless Steel
3	Petcock	Brass



Standard Material List CDV25

1	Body	Brass
2	Spring	Stainless Steel
3	Stem	Brass
4	O-ring	Nitrile
5	Retainer	Brass
6	Cable	Steel/Vinyl
7	Ferrule	Aluminum



ADDITIONAL PRODUCTS

CTM SERIES

Carry Tank Manifolds



FEATURES

- Designed for use with compressor and air tank assemblies
- Combination filler valve, shutoff valve, and safety valve
- Maximum operating temperature 250 ° F
- Maximum operating pressure 200 psi

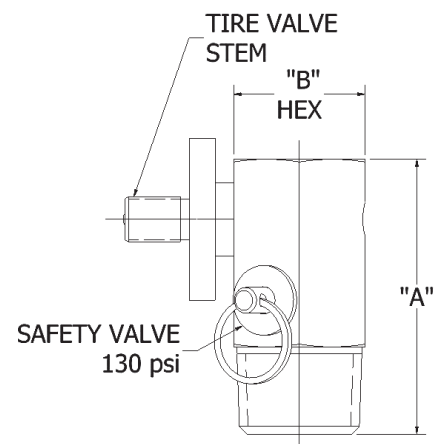
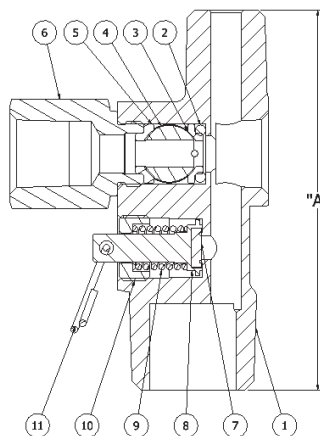


Standard Configurations

Part #	Model	Style	Inlet	Outlet	Filler Inlet	Safety Valve Setting	A (Length)	B (Hex)	Weight (lbs)
6562	CTM-130	Tank Manifold	1/2" MNPT	1/4" FNPT	1/8" Tire Valve	135 PSI	1.83"	7/8"	.34
5590	CTM-150	Tank Manifold	1/2" MNPT	1/4" FNPT	1/4" MNPT	100-150 PSI	2.51"	NA	.29

Standard Material List CTM-150

1	Manifold	Brass
2	O-ring	Nitrile
3	Seal	PTFE
4	Lever	Zinc
5	Seal	PTFE
6	Fitting	Brass
7	Disc	Silicone
8	Piston	Brass
9	Spring	Stainless
10	Cap	Brass
11	Pull Ring	Stainless Steel



Options

Code	Description
SST	Thread Sealant

SCV SERIES

Shuttle Valves



FEATURES

- Designed for use with air and gas applications
- Available in both hard and soft seat versions
- Shuttle allows flow from inlet to outlet while blocking other inlet
- Operating temperature range -15° to 400° F
- Maximum operating pressure 600 psi

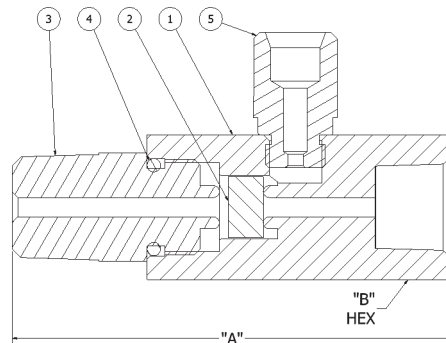


Standard Configurations

Part #	Model	Inlet	Inlet	Outlet	Shuttle	A (Length)	B (Hex)	Weight (lbs)
2025	SCV-1	1/8" FNPT	1/4" FNPT	1/4" Compression	Viton disc	2.28"	3/4"	.27
7556	SCV-2	1/4" FNPT	1/4" FNPT	1/4" FNPT	Stainless Ball	1.63"	13/16"	.26

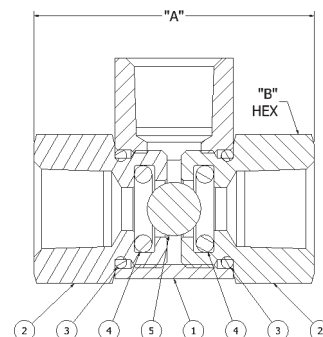
Standard Material List PN: 2025

1	Body	Brass
2	Disc	Viton
3	Fitting	Brass
4	O-ring	Viton
5	Fitting	Brass



Standard Material List PN: 7556

1	Body	Brass
2	Fitting	Brass
3	O-ring	Viton
4	O-ring	Viton
5	Ball	Stainless Steel
6	Label	Label
6	Label	Label



ADDITIONAL PRODUCTS

HV SERIES

Hoist Valves



FEATURES

- Designed for use operating lifting devices, rams, cylinders, etc.
- Commonly used in air over oil applications
- Operating temperature range -35° to 250° F
- Operating pressure range 10 to 200 psi

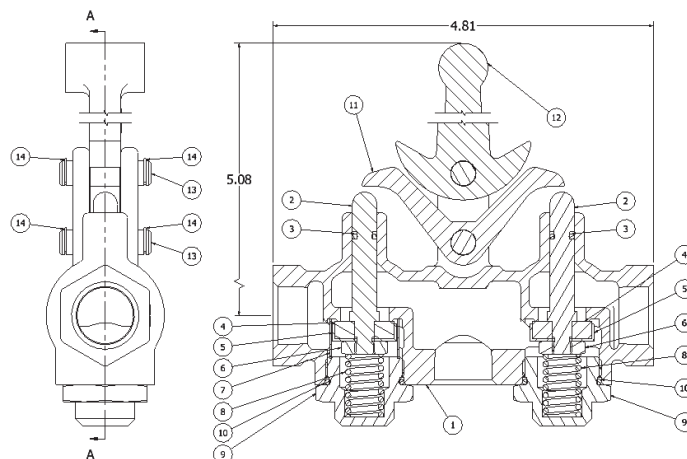


Standard Configurations

Part #	Model	Style	Inlet	Outlet	A (Length)	B (Height)	Weight (lbs)
6920	HV-1	Locking Handle	1/2" FNPT	1/2" FNPT	4.81"	5.08"	2.06
6921	HV-2	Non-Locking Handle	1/2" FNPT	1/2" FNPT	4.81"	5.08"	2.06

Standard Material List

1	Body	Brass
2	Stem	Brass
3	O-ring	Nitrile
4	Disc	Viton
5	Piston	Brass
6	Locknut	Brass
7	Screen	Stainless Steel
8	Spring	Stainless Steel
9	Cap	Brass
10	O-ring	Silicone
11	Lever	Stainless Steel
12	Lever	Stainless Steel
13	Pin	Plated Steel
14	Retaining Clip	Plated Steel



AIC SERIES

Smart Start Filters



FEATURES

- Patented design reduces startup amperage draw on electric compressors
- Eliminates the possibility of tripped circuits
- Can replace most standard filters on smaller electric compressors
- Operating temperature range -35° to 250° F
- Operating pressure range 10 to 200 psi

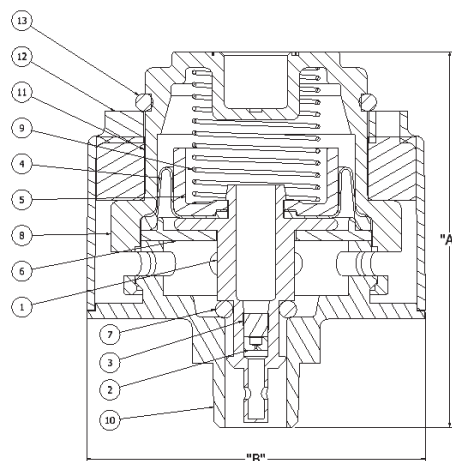


Standard Configurations

Part #	Model	Outlet	A (Length)	B (Diameter)	Weight (lbs)
4618	AIC-38	3/8" MNPT	2.94"	Ø2.65"	0.26
4476	AIC-12	1/2" MNPT	2.94"	Ø2.65"	0.26

Standard Material List

Part #	Part Name	Material
1	Stem	Nylon 6/6
2	Orifice	Brass
3	Filter	Bronze
4	Diaphragm	Nitrile
5	Piston	Nylon 6/6
6	Retainer	Nylon 6/6
7	O-ring	Nitrile
8	Cap	Nylon 6/6
9	Spring	Music Wire
10	Body	Nylon 6/6
11	Filter	Polyurethane Foam
12	Shroud	Nylon 6/6
13	O-ring	EPDM





TERMS, CONDITIONS & WARRANTY

PRICES

This price list supersedes all previous offerings. Prices are subject to change without notice. Invoices will reflect prices at the time of shipment.

TAXES

Prices do not include any federal, state or local taxes or other governmental charges. Any taxes or governmental charges, which Conrader Valves may be required to pay or collect, will be invoiced to the purchaser.

TERMS OF PAYMENT

Terms shall be Net 30 days unless specified otherwise by Conrader Valves in writing, including shipments of partial orders. A 1¼% per month service charge will be added to the invoice amount on all past due accounts. If the customer wrongfully fails to take delivery of the material, Conrader Valves shall be entitled to invoice the customer for the price at any time after we notify the customer that the goods are ready for shipment or we have tendered delivery of material.

FREIGHT

All shipments are F.O.B. Erie, PA unless otherwise stated. Delivery of material to a common carrier shall be considered delivery to purchaser. CLAIMS FOR LOSS OF OR DAMAGE TO MATERIAL IN TRANSIT SHALL BE FILED BY THE PURCHASER DIRECTLY WITH THE CARRIER.

DELIVERIES

All scheduled shipments are determined by the best judgment of Conrader Valves Schedules will be adhered to with the best efforts of Conrader Valves, but are not guaranteed. Conrader Valves will not be responsible for delays in delivery or failure to deliver due to causes beyond its control, including without limitations, acts of God, acts of purchaser, fire, flood, accidents, riots, strikes, transportation delays, labor or material shortages or any other causes beyond its control.

RETURNS

No material is to be returned without our written permission. A minimum inspection and handling charge of 30%, plus freight both ways will be assessed on approved returned goods. Obsolete material and material made on special orders is not returnable.

CANCELLATION

Orders for special merchandise, modifications of regular merchandise or abnormal quantities of regular merchandise are not subject to cancellation or change in specifications without our written consent and upon terms that will indemnify Conrader Valves against consequential loss.

MINIMUM CHARGE

ORDERS FOR VALVES AND FITTINGS TOTALING LESS THEN \$30.00 NET WILL BE BILLED AT A MINIMUM CHARGE OF \$30.00.

DESIGN

Design may be changed without prior notice.

WARRANTY

All products are guaranteed for 90 days from date of shipment against manufacturing defects in material and workmanship, provided that in each case the product is properly installed and is used in the service for which the seller recommends. Material claimed to be defective which is returned to our factory within 90 days after prior written approval by Conrader Valves, transportation prepaid, will be repaired or replaced at the discretion of Conrader Valves, provided that after inspection the product is found to be defective. THIS WARRANTY IS EXCLUSIVE AND IS IN LIEU OF ANY OTHER EXPRESS OR IMPLIED WARRANTIES, INCLUDING THOSE OF MERCHANTABILITY AND FITNESS FOR A PARTICULAR PURPOSE.



3200 West 22nd Street, Erie, PA 16506

Phone: (814) 898-2727

Fax: (814) 898-3512

E-Mail: sales@conrader.com